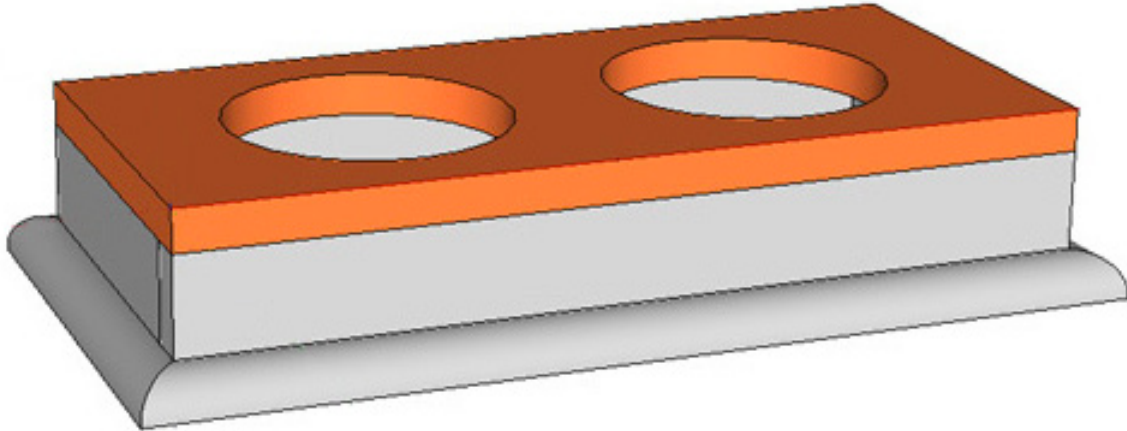


Raised Pet Feeder - Small

by Charissa @ orangesugar



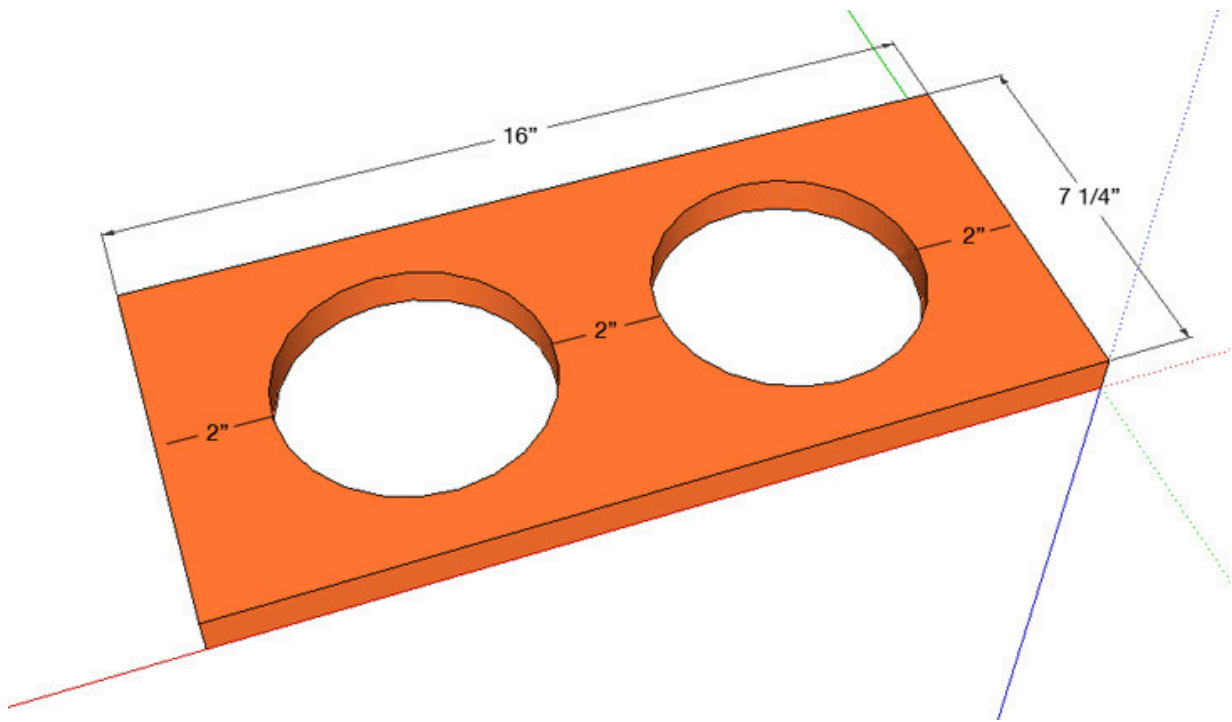
Dimensions: 16" w x 3 1/4" h x 7 1/4" d

MATERIALS LIST

- 1 x 8 @ 16"
- 1 x 3 @ 43 1/2"
- 2 - 16-oz. Basic Stainless Bowl from Petco
- quarter round (optional) @ 52 1/2"

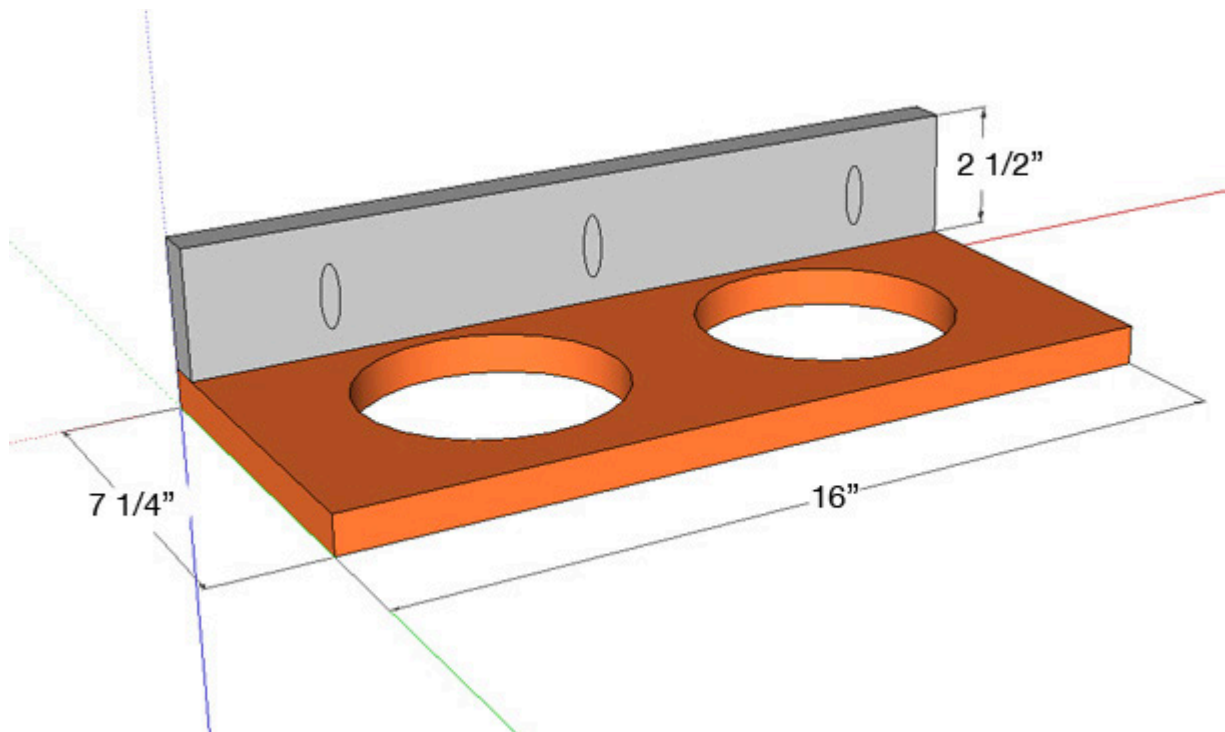
CUT LIST

- 1 - 1 x 8 @ 16" (Top)
- 1 - 1 x 3 @ 16" (Front Panel)
- 2 - 1 x 3 @ 6 1/2" (Side Panels)
- 1 - 1 x 3 @ 14 1/2" (Back Panel)



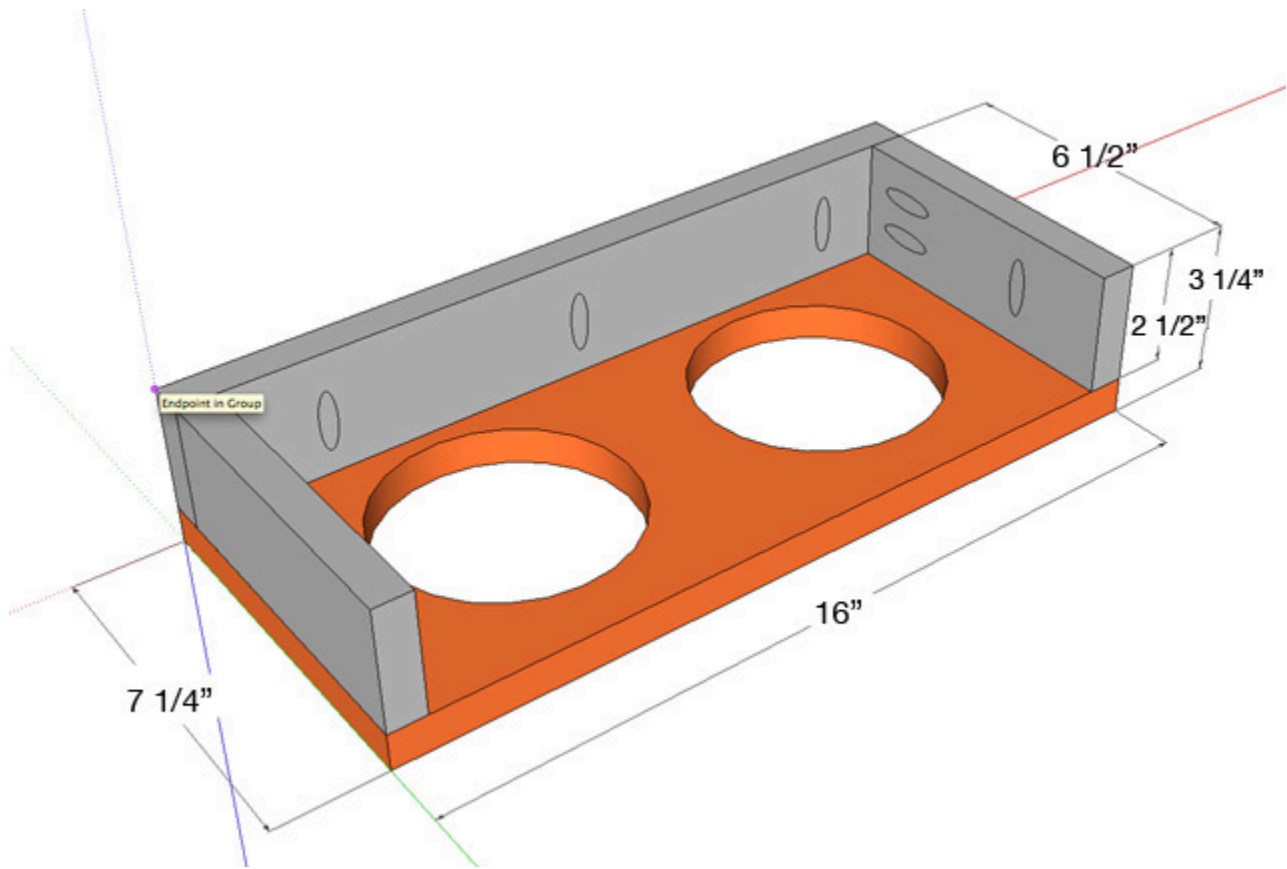
STEP 1

Using a jigsaw cut two 5" circles out of your top. The bowls I am using for this plan are 5 1/2" in diameter. This will give the bowls a 1/2" lip to rest on. Don't worry about your circles being perfect because the bowls will cover them.



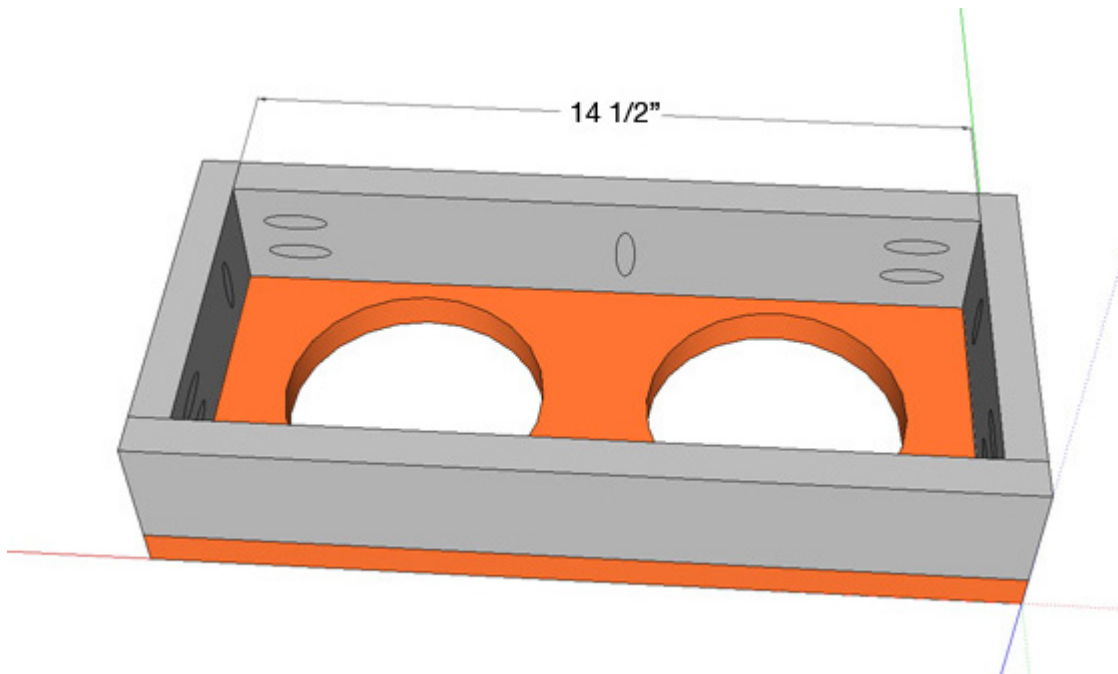
STEP 2

(Remember to predrill all of your Kreg holes before attaching any of your pieces!) Attach your front panel to the top.



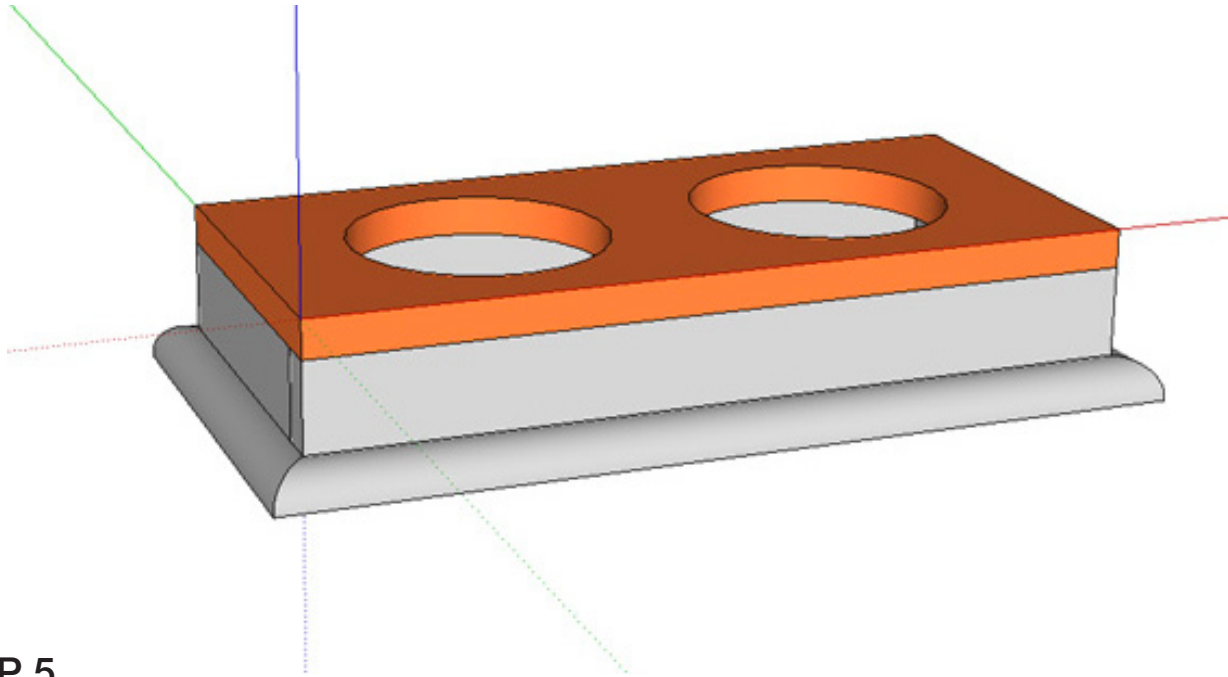
STEP 3

Attach each of your side pieces to the top and front panel.



STEP 4

Attach the back piece to the sides and top.



STEP 5

(Optional) Nail mitered quarter round around the bottom of the feeder.

FINISHING INSTRUCTIONS

Fill any nail holes and paint or stain as desired.