

-----  
Project name: American Girl Dollhouse 2 Story KIT  
Date: 2020-10-21  
-----

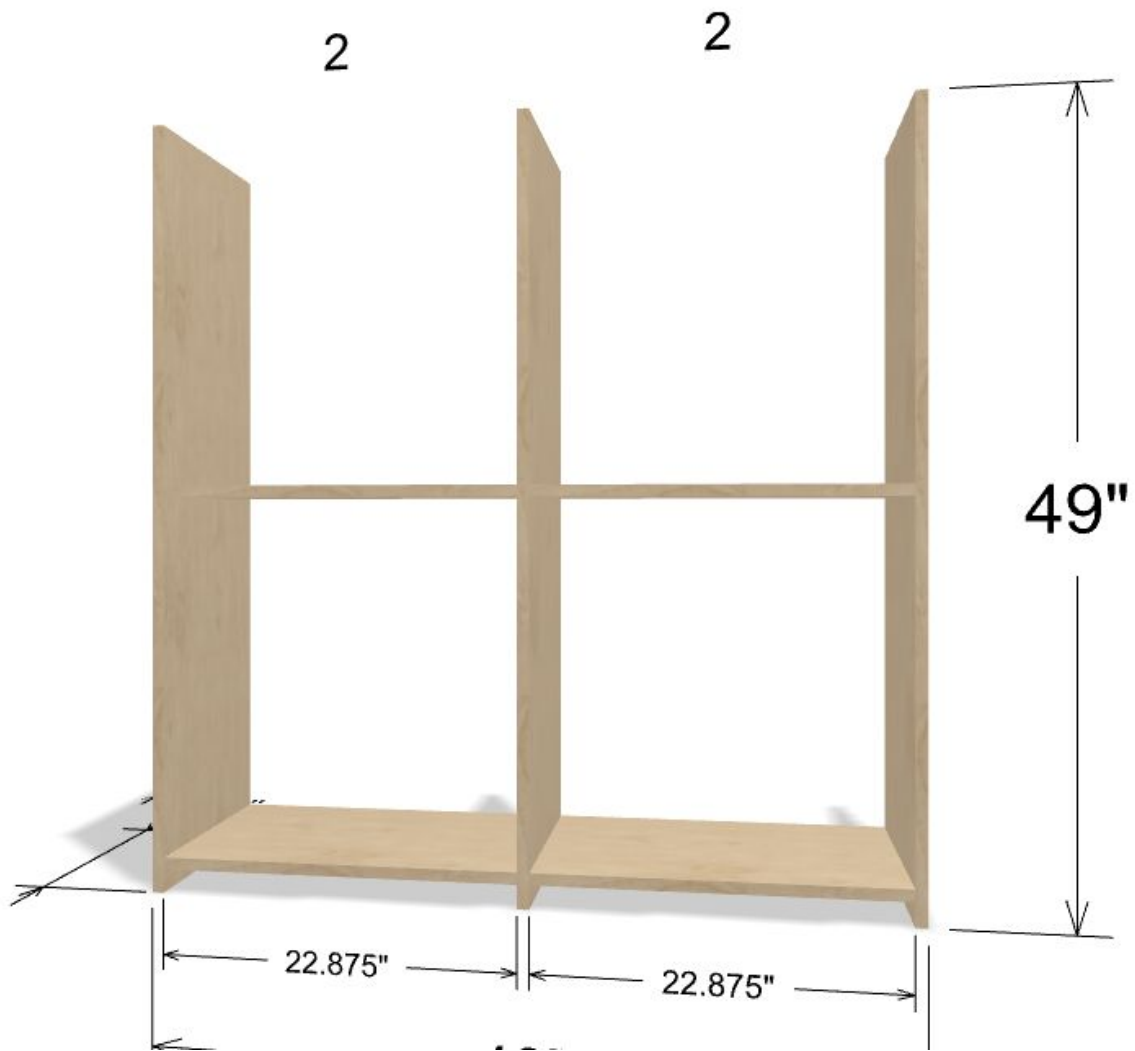
Plywood Cut List:

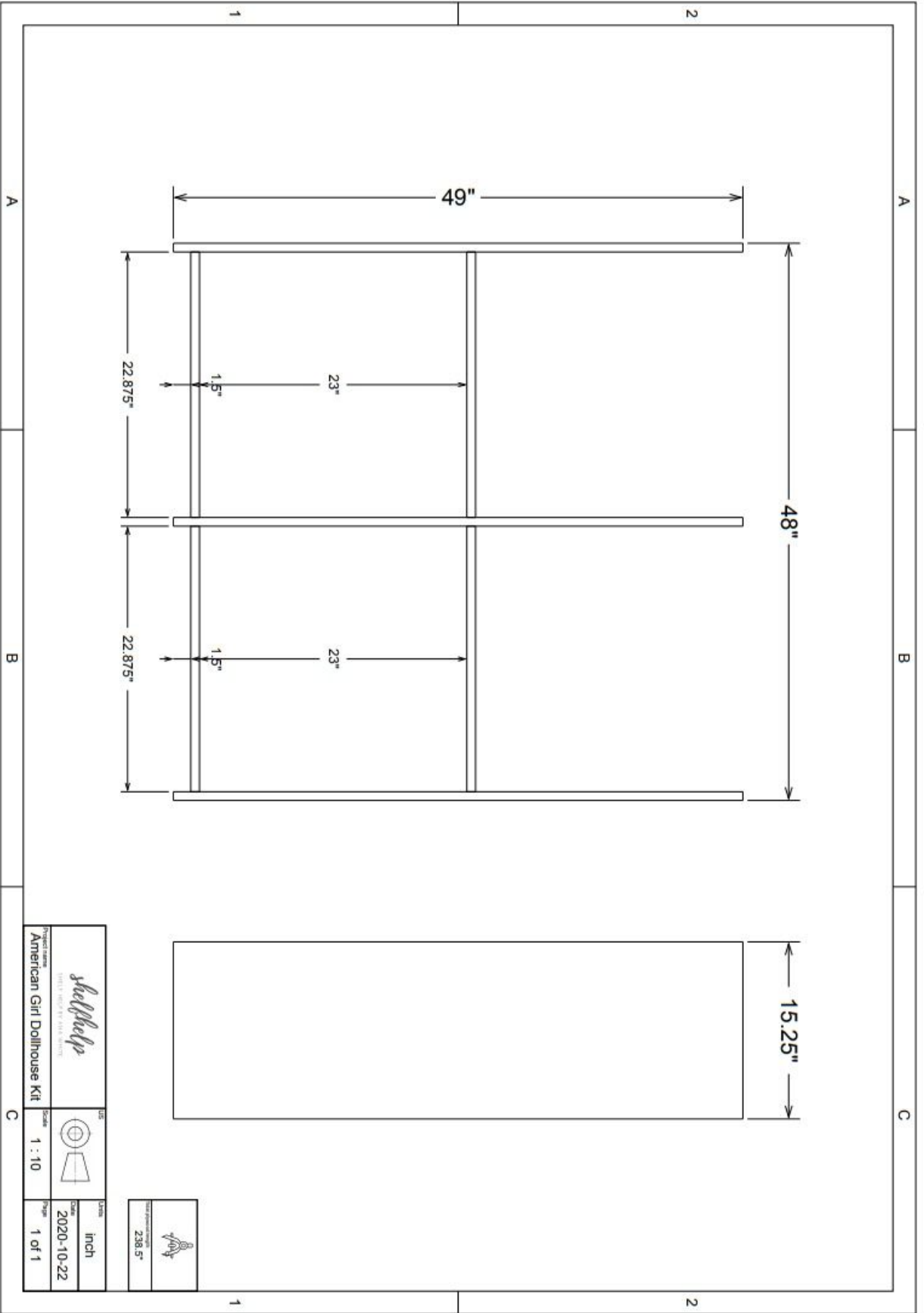
Material: Purebond 3/4" thickness

Checkbox | Qty | W x L

=====

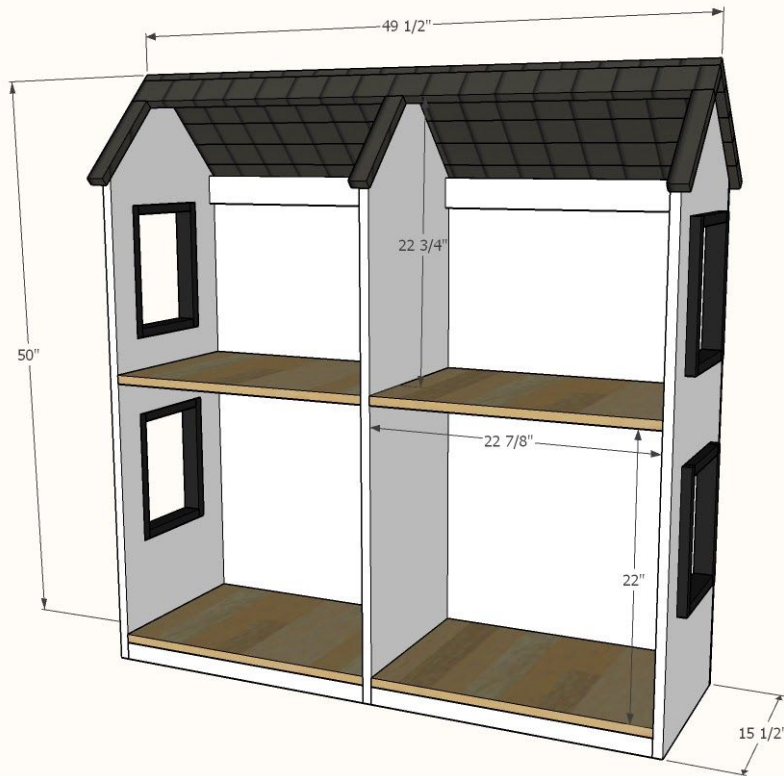
- | 3 | 15.25" x 49"
- | 4 | 15.25" x 22.875"



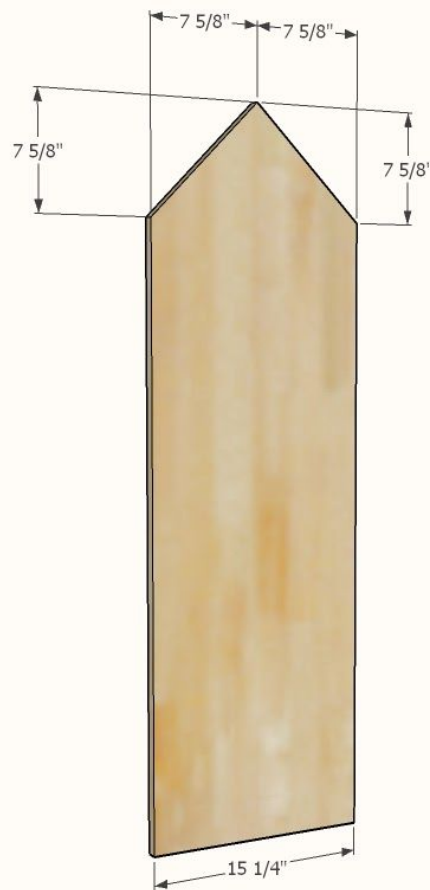


# 18" Two Story Dollhouse Build Plans

By Ana White



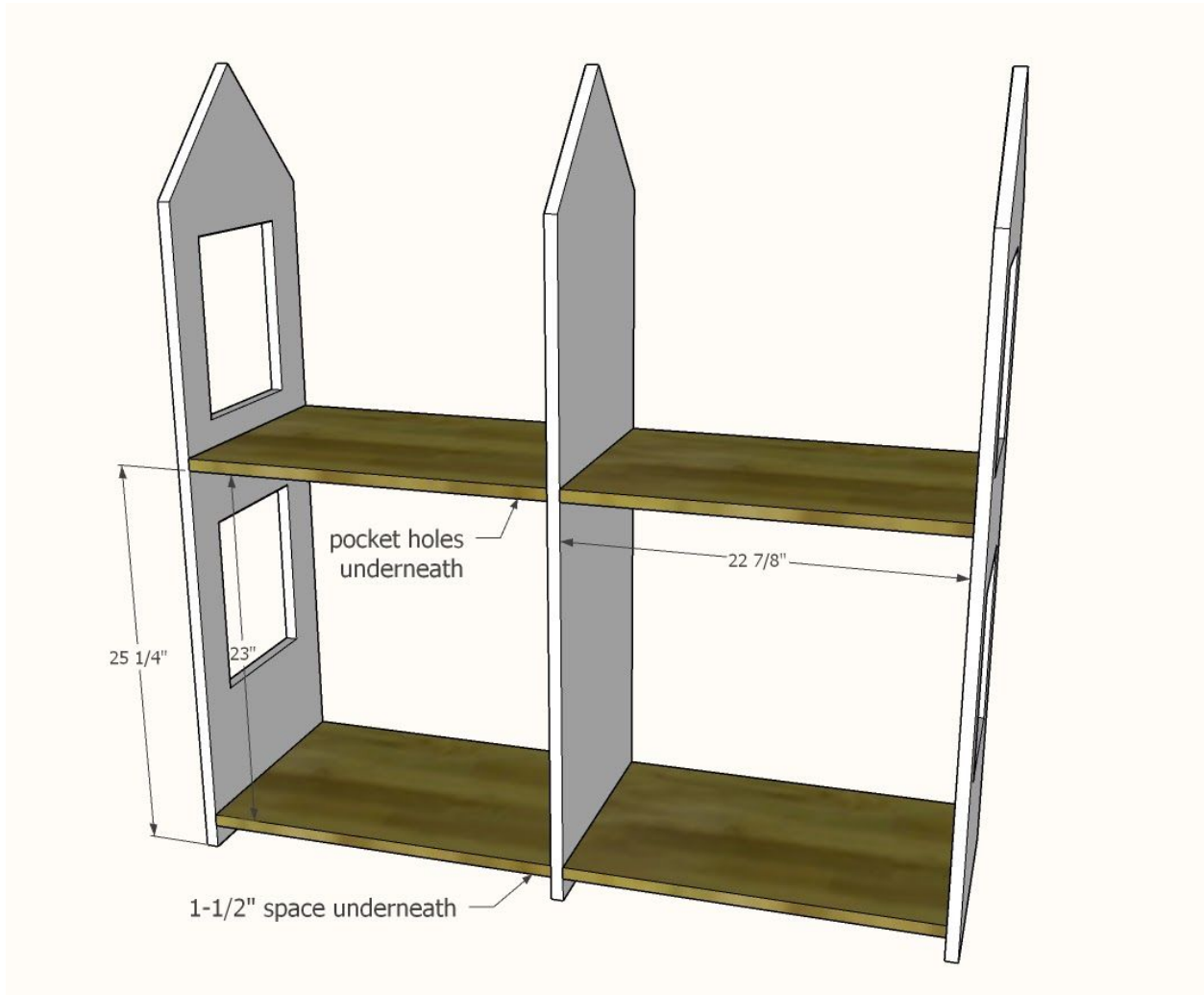
Materials and Tools	Cut List
<ul style="list-style-type: none"> <li><input type="checkbox"/> Shelf Help Carcass Kit for Two Story 18" Dollhouse</li> <li><input type="checkbox"/> 1 - 4'x4' x 1/4" thick plywood panel for back (or similar paneling material)</li> <li><input type="checkbox"/> 6 - 1x3 @ 8 feet long</li> <li><input type="checkbox"/> 3 - 1x2 @ 8 feet long</li> <li><input type="checkbox"/> 50 - 1-1/4" pocket hole screws and pocket hole jig</li> <li><input type="checkbox"/> 1-1/4" and 3/4" brad nails</li> <li><input type="checkbox"/> Wood glue</li> <li><input type="checkbox"/> Drill</li> <li><input type="checkbox"/> Circular Saw</li> <li><input type="checkbox"/> Jigsaw</li> <li><input type="checkbox"/> Brad Nailer</li> <li><input type="checkbox"/> Palm Sander</li> </ul>	<ul style="list-style-type: none"> <li><input type="checkbox"/> 2 - 1x3 @ 22-7/8" - bay supports on top</li> <li><input type="checkbox"/> 2 - 1x2 @ 22-7/8" - bay supports bottom</li> <li><input type="checkbox"/> 6 - 1x3 @ 49-1/2" - main roof</li> <li><input type="checkbox"/> 3 - 1x3 @ 9" - roof trim</li> <li><input type="checkbox"/> 8 - 1x2 @ 12" - window trim</li> <li><input type="checkbox"/> 8 - 1x2 @ 9-3/4" - window trim</li> <li><input type="checkbox"/> 1 - 1/4" plywood @ 41" x 48"</li> </ul>



### Step 1: Roof Gable Cuts

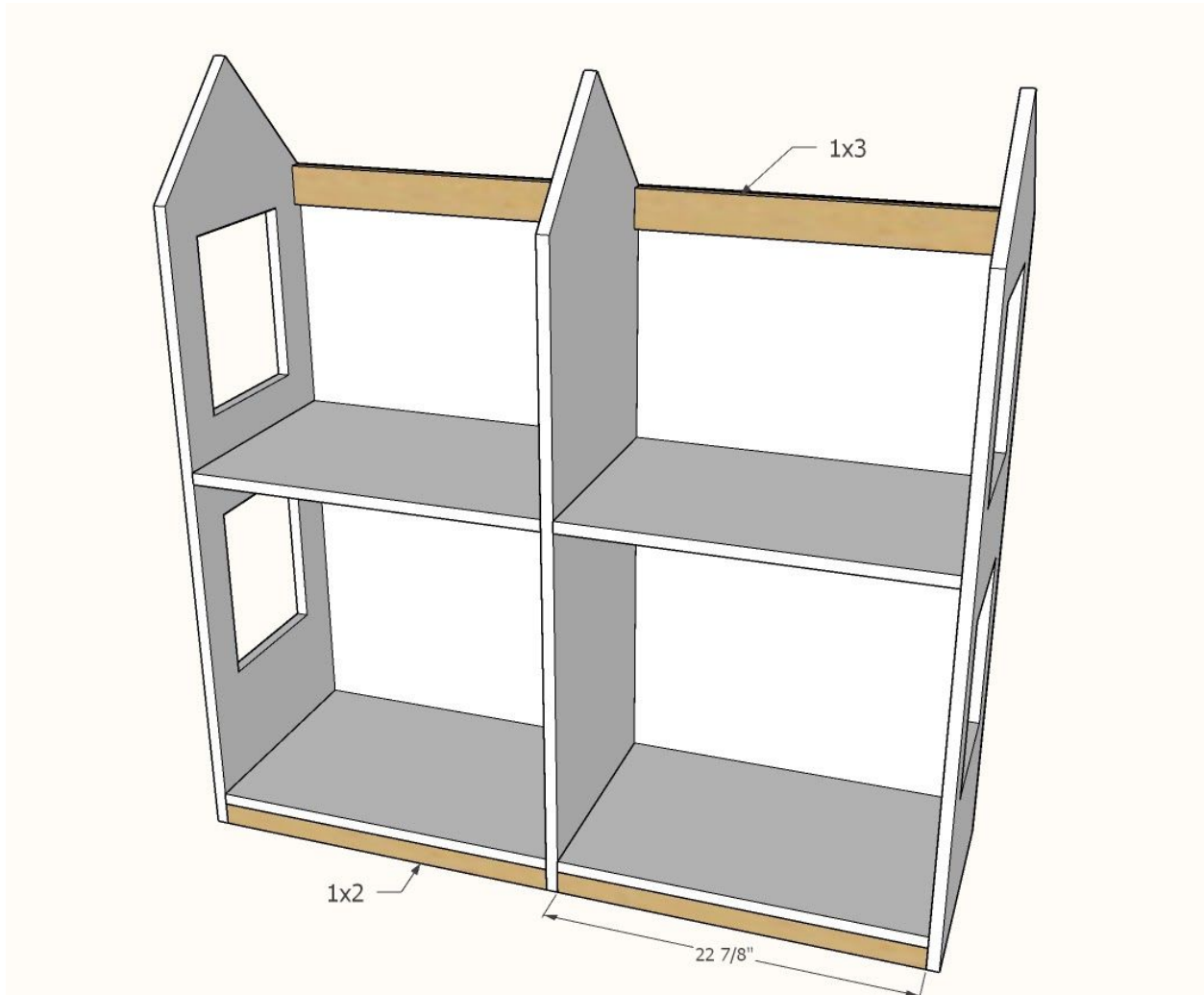
Mark all three of the longer pieces of plywood as shown in diagram and cut with circular saw.





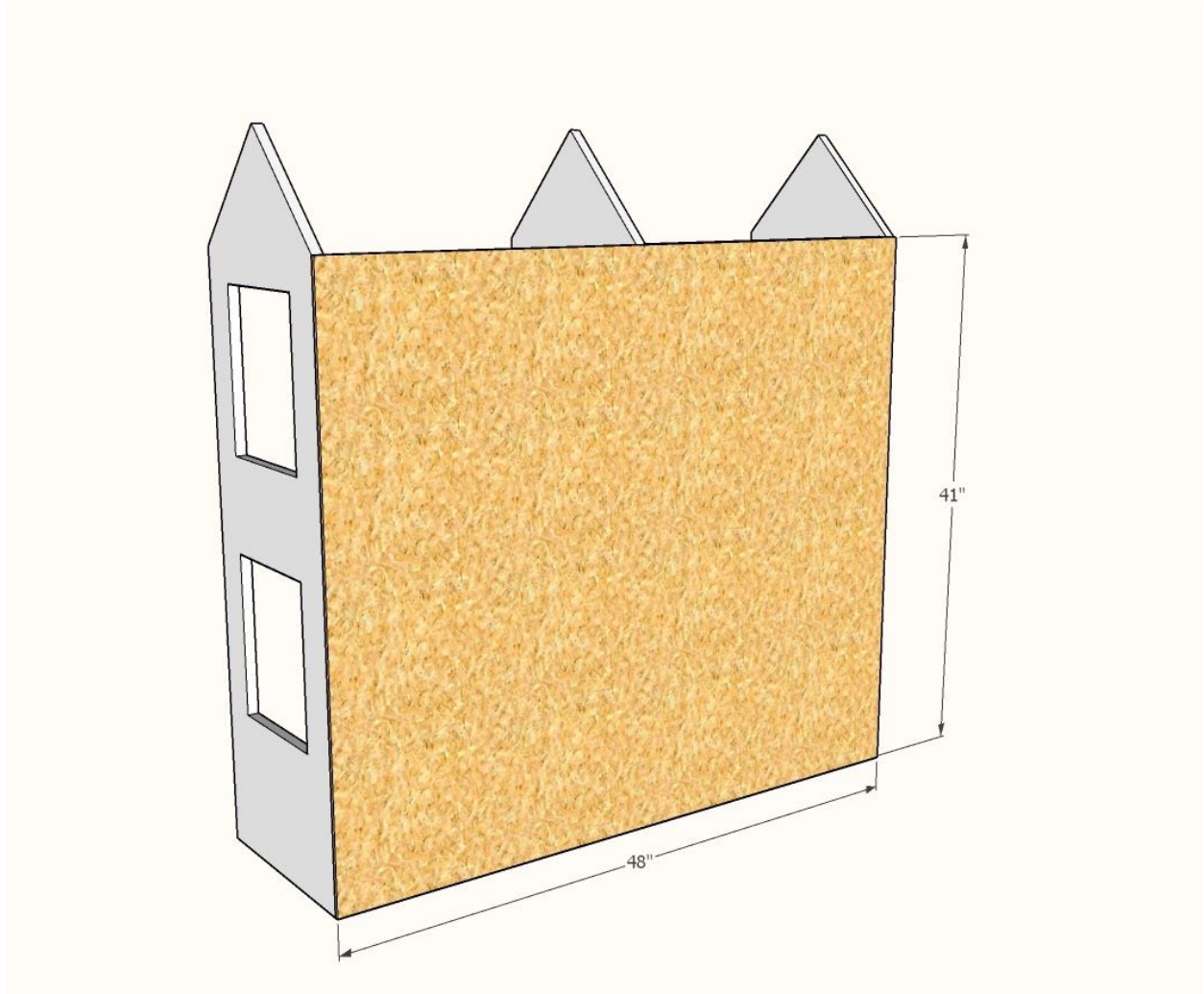
### Step 3: Attach Floors

Drill three  $\frac{3}{4}$ " pocket holes on each end of the floor pieces.  
Attach with  $1\text{-}\frac{1}{4}$ " pocket hole screws to the walls as shown.



#### **Step 4: Bay Supports**

Drill  $\frac{3}{4}$ " pocket holes on ends of bay supports. Attach to the bottom and back. Also use  $1\text{-}\frac{1}{4}$ " nails to fasten the bottom floor to the top edge of the 1x2.

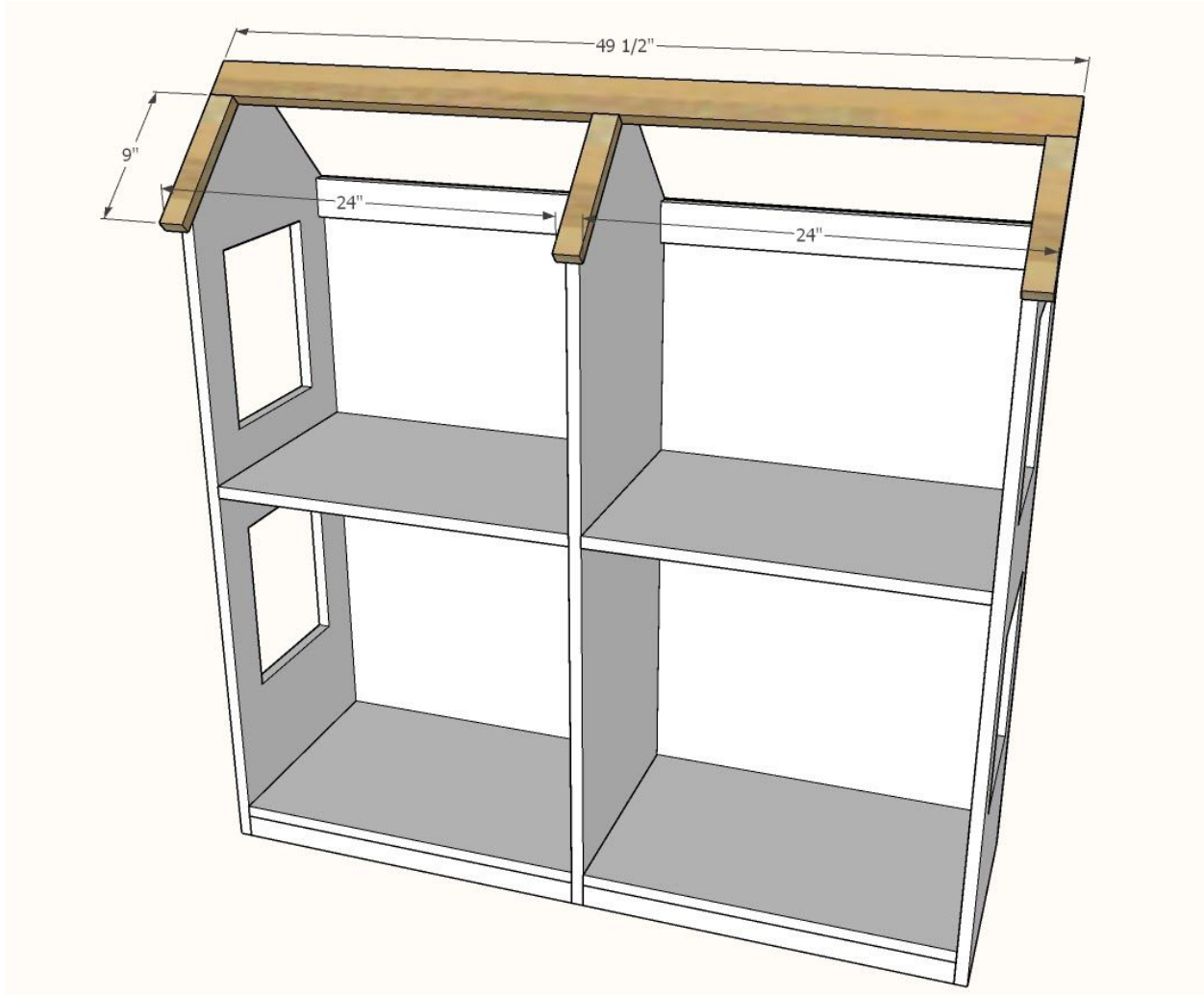


**Step 5: Back**

Apply glue to the back edges of the dollhouse.

Attach back panel with  $\frac{3}{4}$ " brad nails and wood glue.

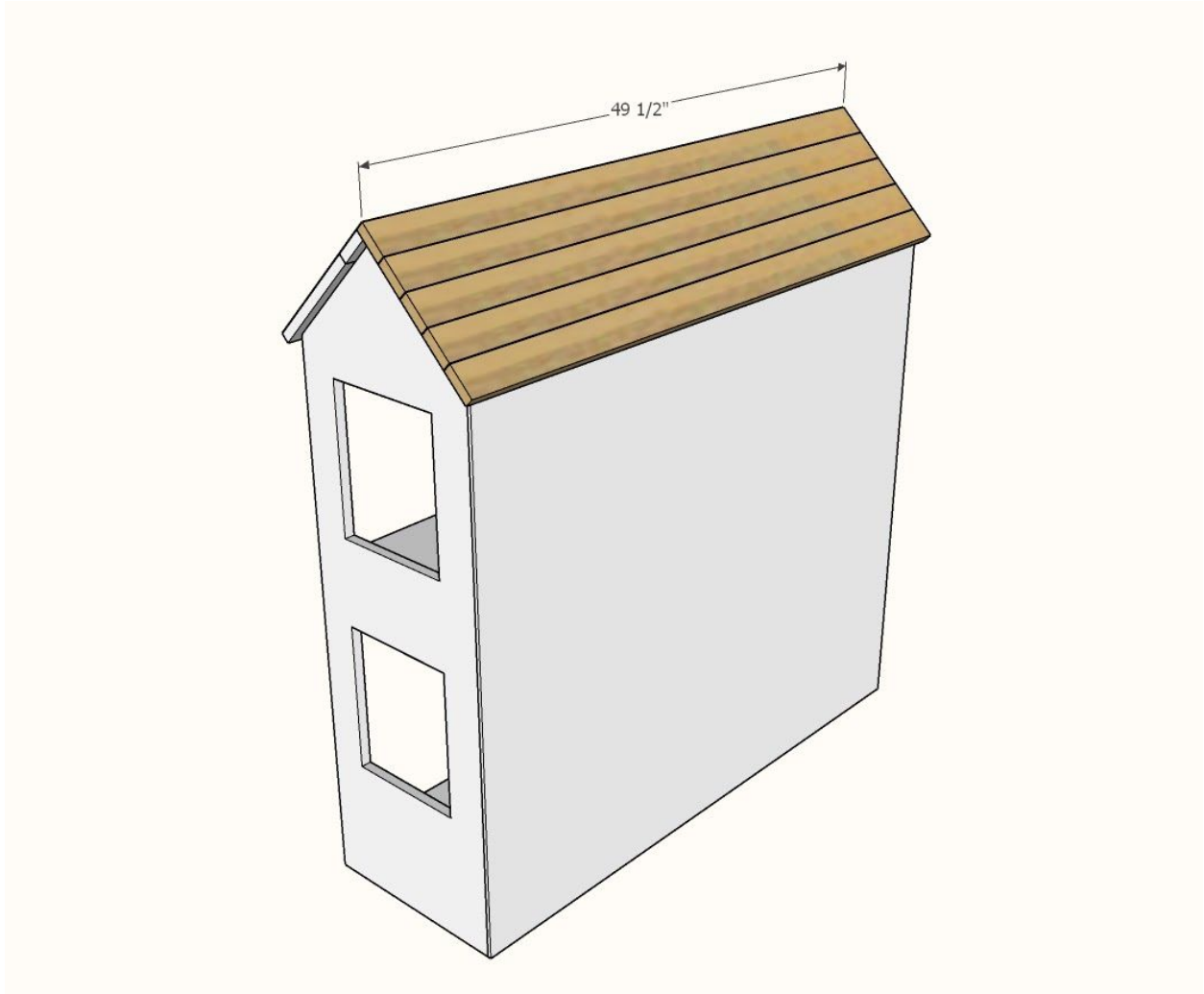




### **Step 6: Roof Front**

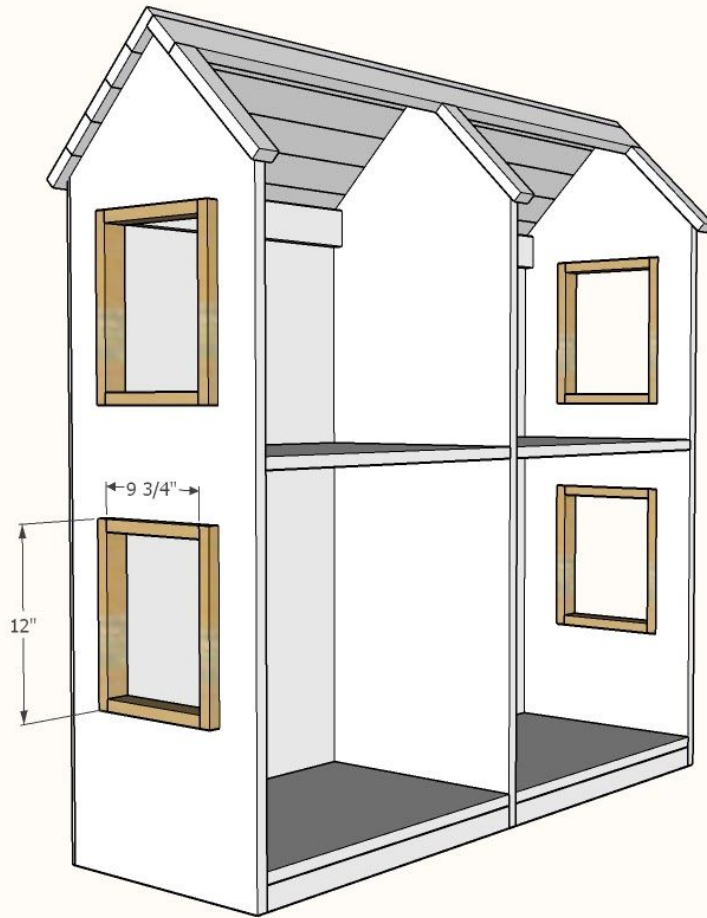
Attach the roof pieces together first with  $\frac{3}{4}$ " pocket holes and  $1\text{-}\frac{1}{4}$ " pocket hole screws. The center roof piece is centered on the longer roof piece.

Then attach completed roof pieces to top of dollhouse with  $1\text{-}\frac{1}{4}$ " brad nails and wood glue.



**Step 7: Roof Back**

Attach remaining roof pieces to back with glue and 1- $\frac{1}{4}$ " brad nails. Start at the top and work downward.



### **Step 8: Window Trim**

Attach window pieces together first with 1- $\frac{1}{4}$ " brad nails and glue.

Then slide in window openings and attach with glue and a couple of brad nails.