

# ANAWHITEKNOCK-OFFWOOD

100s OF FREE AND EASY KNOCK-OFF FURNITURE PLANS TO SAVE YOU \$1000s

PLANS: Leaning Wall Shelves

Compare to: Pottery Barn Studio Wall Shelves

Skill Level: Beginner



## Leaning Wall Shelves

I cannot think of a room in my home that couldn't fit, use, and benefit from these leaning wall shelves. Save space and add style in your bathroom, kitchen, or dining area, use as nightstands or media towers, or organize your entryway or child's room. Easy to build and inexpensive, these leaning wall shelves make dream gifts too!

Copyrighted Material  
[www.knock-offwood.com](http://www.knock-offwood.com)

Page 1

# ANAWHITEKNOCK-OFFWOOD

100s OF FREE AND EASY KNOCK-OFF FURNITURE PLANS TO SAVE YOU \$1000s

PLANS: Leaning Wall Shelves

## SHOPPING LIST

Quantity	Description
6	1x4 Boards, 8' Long
1	Sheet of 4'x8' Hardwood Plywood or MDF 3/4" Thick, Cut as shown in Cutting Layout
60	1 1/4" Pocket Hole Screws
35	1 1/4" Wood Screws
2	Heavy Duty Picture Hanging Kits Including Wall Mount and Frame Hardware
1	Small Tube Wood Glue
2	Sheets of 120 Grit Sandpaper

## RECOMMENDED TOOLS

Measuring Tape, Square, Jig Saw, Drill with Countersink Bit, Sander, Clamps

## CUT LIST

	Quantity	Board	Length	Description
A	2	1x4	77 3/8"	Shelf Sides, Cut and mark in step 1
B	5	1x4	33"	Shelf Supports
C	1	3/4" Plywood	17 1/4" x 31 1/2"	Bottom Shelf Bottom (see plywood cutting diagram)
D	1	3/4" Plywood	14 1/4" x 31 1/2"	2nd Shelf Bottom (see plywood cutting diagram)
E	1	3/4" Plywood	12 1/4" x 31 1/2"	3rd Shelf Bottom (see plywood cutting diagram)
F	1	3/4" Plywood	10 1/4" x 31 1/2"	4th Shelf Bottom (see plywood cutting diagram)
G	1	3/4" Plywood	8 1/4" x 31 1/2"	Top Shelf Bottom (see plywood cutting diagram)
H	2	1x4	17 1/4"	Bottom Shelf Side Trim (round top front corner)
I	2	1x4	14 1/4"	2nd Shelf Side Trim (round top front corner)
J	2	1x4	12 1/4"	3rd Shelf Side Trim (round top front corner)
K	2	1x4	10 1/4"	4th Shelf Side Trim (round top front corner)
L	2	1x4	8 1/4"	Top Shelf Side Trim (round top front corner)
M	5	1x4	33"	Shelf Back Trim

## IN GENERAL

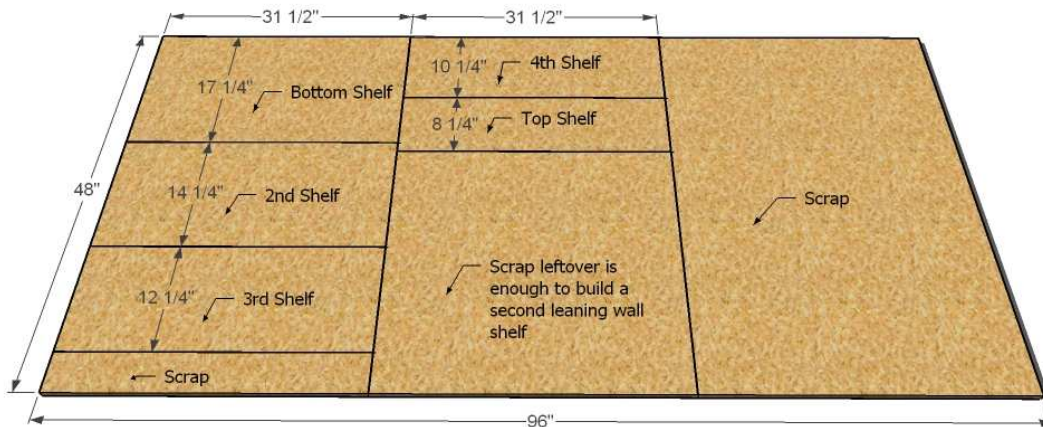
Refer to the blog at [www.knock-offwood.com](http://www.knock-offwood.com) for any comments or suggestions for this plan. Always wear necessary safety equipment and take safety precautions. Check for square after each step. Measure all joints out and mark clearly with a square on BOTH sides of the joint (so you know where to nail). Use glue unless otherwise stated. Always predrill and countersink any screws. If you are using MDF, avoid fastening too close to the edges to avoid splitting your MDF.

Copyrighted Material  
[www.knock-offwood.com](http://www.knock-offwood.com)

# ANAWHITEKNOCK-OFFWOOD

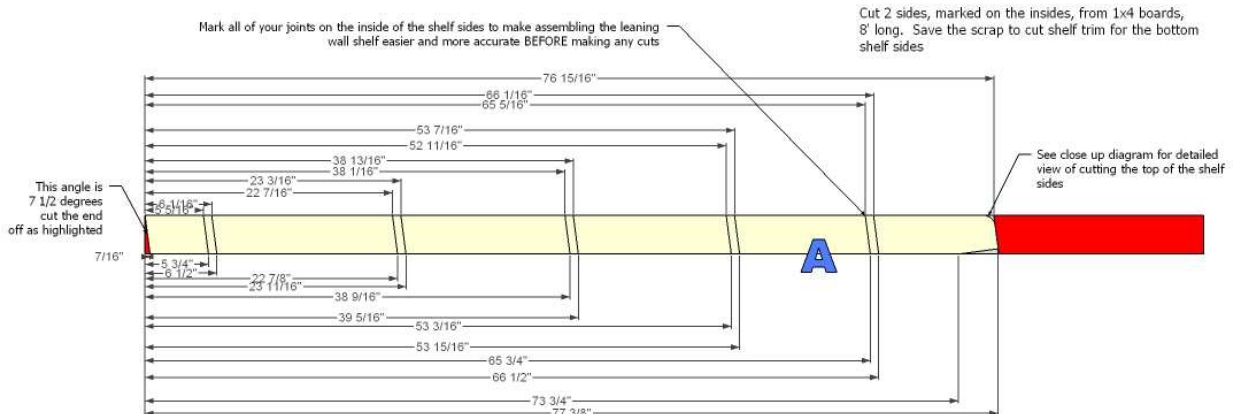
100s OF FREE AND EASY KNOCK-OFF FURNITURE PLANS TO SAVE YOU \$1000s

## PLANS: Leaning Wall Shelves



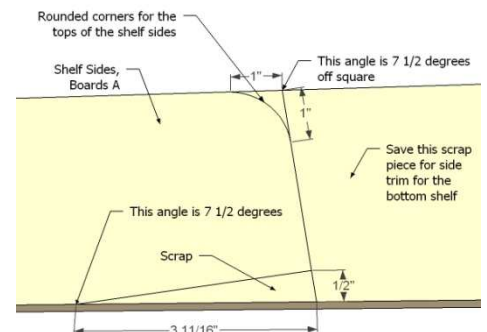
## STEP 1: PLYWOOD LAYOUT

Cut your plywood or MDF as shown above. Remember that you must account for the thickness of the saw blade as you cut. It's best to mark, cut, mark, cut and so on. If you can have your home improvement store cut the plywood into 31 1/2" strips on a track saw, all you would then need to do is make the shelf width cuts. There is enough plywood scraps leftover to build a second leaning wall shelf.



## STEP 2: LEGS

Draw out the pattern shown above on to two of the 1x4s, taking note that the two legs will be mirrors of each other. After you have drawn out the pattern, cut the leg ends. Reference the exploded view here for cutting instructions for the tops of the legs.



# ANAWHITEKNOCK-OFFWOOD

100s OF FREE AND EASY KNOCK-OFF FURNITURE PLANS TO SAVE YOU \$1000s

PLANS: Leaning Wall Shelves



## STEP 3: ROUNDING SHELF CORNERS

In the finished shelf system, the corners of the top outside of the side trim are rounded to avoid personal injury. Round the top corners of the side trim pieces using a jigsaw.

## STEP 4: BUILDING SHELF FRAME

Attach with 2" screws and glue the shelf supports to the legs, placing the shelf supports inside the lines drawn in step 1.

**OPTIONAL: Use Pocket Holes as shown immediately below.**



Copyright

[www.knock-offwood.com](http://www.knock-offwood.com)

# AN WHITE KNOCK-OFF WOOD

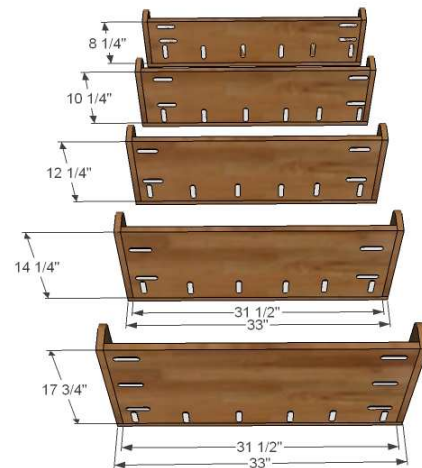
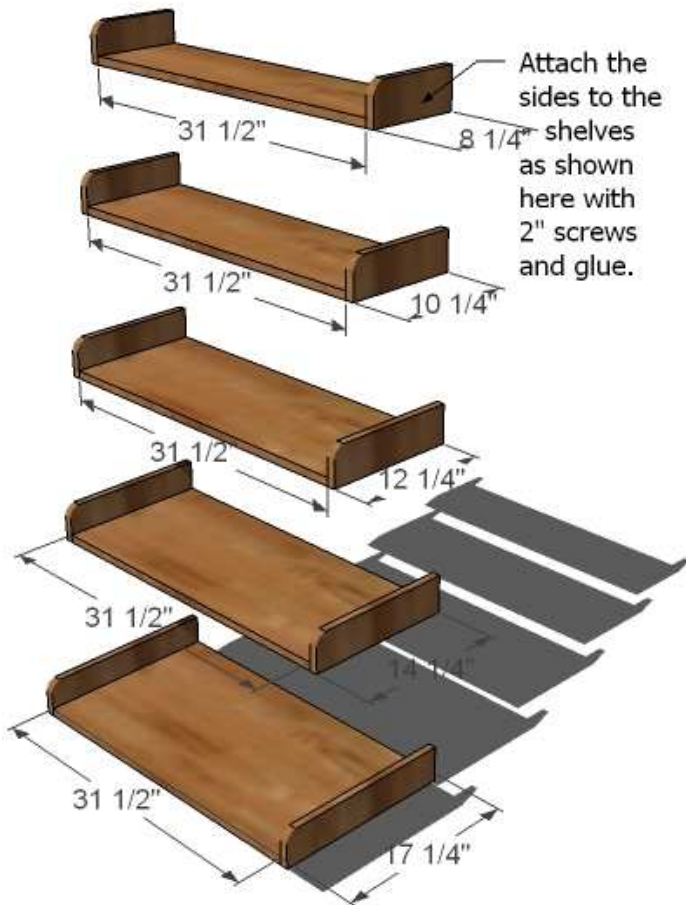
100s OF FREE AND EASY KNOCK-OFF FURNITURE PLANS TO SAVE YOU \$1000s

PLANS: Leaning Wall Shelves

## STEP 5: BUILD THE SHELVES

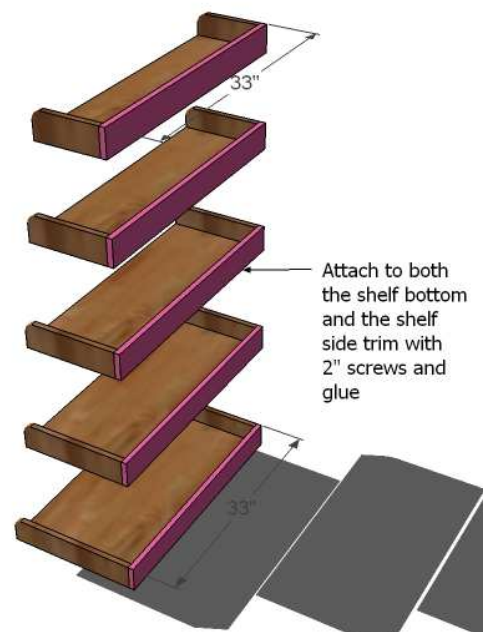
Attach the sides to the shelf bottoms as shown in the diagram to the left.

Remember, the shelf will also have a back, furthering the support, but if you would like to make your shelf even stronger, you can attach the sides (and back) as shown below with pocket holes.



## STEP 6: SHELF BACKS

Attach the backs to the shelves as shown in the diagrams to the right. Make sure you also attach to the sides of the shelves. Use glue and 2" screws.



# ANAWHITEKNOCK-OFFWOOD

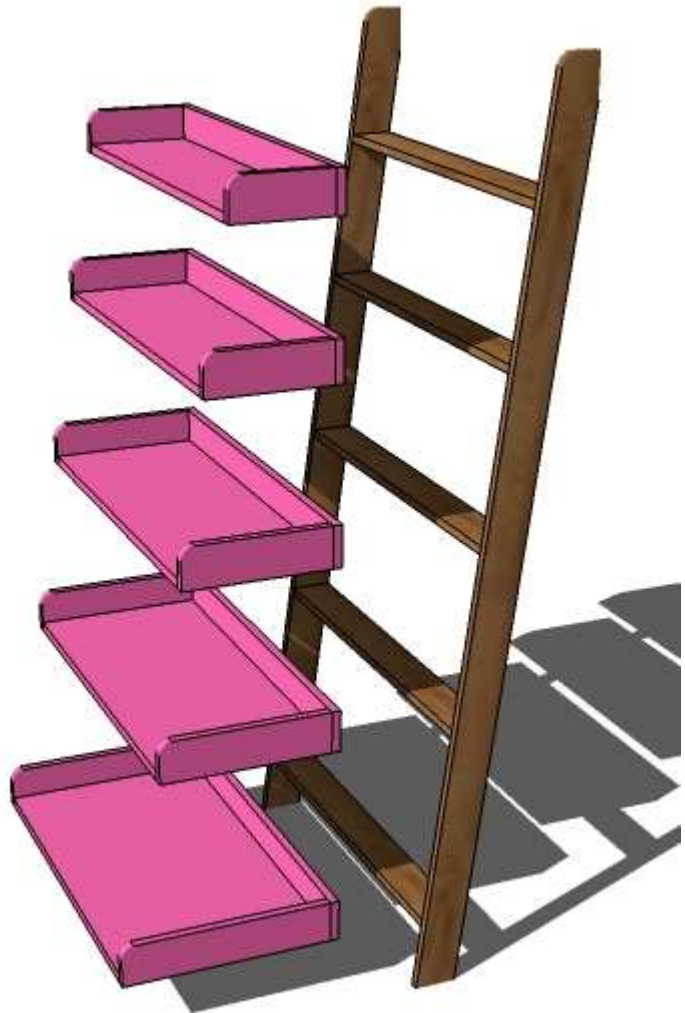
100s OF FREE AND EASY KNOCK-OFF FURNITURE PLANS TO SAVE YOU \$1000s

PLANS: Leaning Wall Shelves

## STEP 7:

### ASSEMBLY

Attach the shelf frame to the wall using the picture hanging kit. If necessary, attach a self leveling kit to the bottoms of the legs to level the shelf. Then with the shelf frame in place, slide the shelves into the frame, with the backs of the shelves flush with the wall. The largest shelf goes on the bottom, tapering up to the smallest on top. Use 1 ¼" screws and to attach through the bottom and sides to the shelf frame.



### FINISHING

Fill all holes with wood filler. Sand with coarse sandpaper. Fill holes with wood filler again, and sand with medium grit sandpaper. Then finish with a fine sandpaper. Always sand in the direction of the wood grain. If you are painting, prime, painting the insides first, outsides last. Add two coats of paint. You can add a clear top coat if you wish. For staining, always test out a scrap piece, with wood filler. If the wood filler is not taking stain, you may wish to buy a color coordinated wood filler and fill your holes with this. If the stain is going on blotchy, you may need to apply a wood conditioner prior to the stain. Apply a top coat if necessary.