

# ANAWHITEKNOCK-OFFWOOD

100s OF FREE AND EASY KNOCK-OFF FURNITURE PLANS TO SAVE YOU \$1000s

PLANS: Twin Brookstone Desk

**Compare to:** Pottery Barn Kids Brookfield Desk

**Skill Level:** Intermediate



## Brookfield Storage Bed Frame

This rustic desk will be sturdy and functional, with the character of solid wood construction. Featuring two drawers with dividers built in, a solid footer and cross bracing, build this desk for your preschooler and it will make it through college and beyond. Hutch plans also available at [www.ana-white.com](http://www.ana-white.com) (mid august 2010).

Copyrighted Material

See [www.knock-offwood.com](http://www.knock-offwood.com) for full disclaimer

# ANAWHITEKNOCK-OFFWOOD

100s OF FREE AND EASY KNOCK-OFF FURNITURE PLANS TO SAVE YOU \$1000s

PLANS: Twin Brookstone Desk

## SHOPPING LIST

Quantity	Description
1	24" x 48" Pine Project Panel
2	1x2s, 8' Length
4	1x3, 8' Length
4	1x4, 8' Long
2 Sets	16" Side Mount Drawer Slides
	1 ¼" and 2" Finish Nails
	1 ¼" and 2" Wood Screws
1	Small Tube Wood Glue
	Finishing Supplies including wood filler and sandpaper, knobs or pulls

## RECOMMENDED TOOLS

Measuring Tape, Square, Saw, Finish Nailer, Drill with Countersink Bits, Sander, Clamps, Compass or Mittersaw

## CUT LIST

	Quantity	Board	Length	Description
A	3	1x3	19 1/2"	Cleats
B	6	1x4	19 ½"	Drawer Housing and Side Aprons
C	3	1x4	4"	Front Apron
D	1	24" wide Project Panel	46"	Desktop
	1	1x4	43 ½"	Back Apron
E	4	1x2	29 1/4"	1x2 Legs
F	4	1x3	29 1/4"	1x3 Legs
G	2	1x4	21"	Side Stretcher
H	1	1x4	42"	Back Stretcher
I	2	1x4	28 1/4"	Cross Braces, Ends cut at 45 degrees parallel to each other
J	4	1x3	16"	Drawer Sides
K	4	1x3	13 1/4"	Drawer Front, Dividers
L	2	1x3	10 1/2"	Divider
M	2	1x3	14 ¾"	Drawer Back
N	2	¼" Plywood (can be ½")	14 ¾" x 16 ¾"	Drawer Bottom
O	2	1x4	15 ¾"	Drawer Face

## IN GENERAL

Refer to the blog at [www.knock-offwood.com](http://www.knock-offwood.com) for any comments or suggestions for this plan. Always wear necessary safety equipment and take safety precautions. Check for square after each step. Measure all joints out and mark clearly with a square on BOTH sides of the joint (so you know where to nail). Use glue unless otherwise stated. Always predrill and countersink any screws. If you are using MDF, avoid fastening too close to the edges to avoid splitting your MDF.

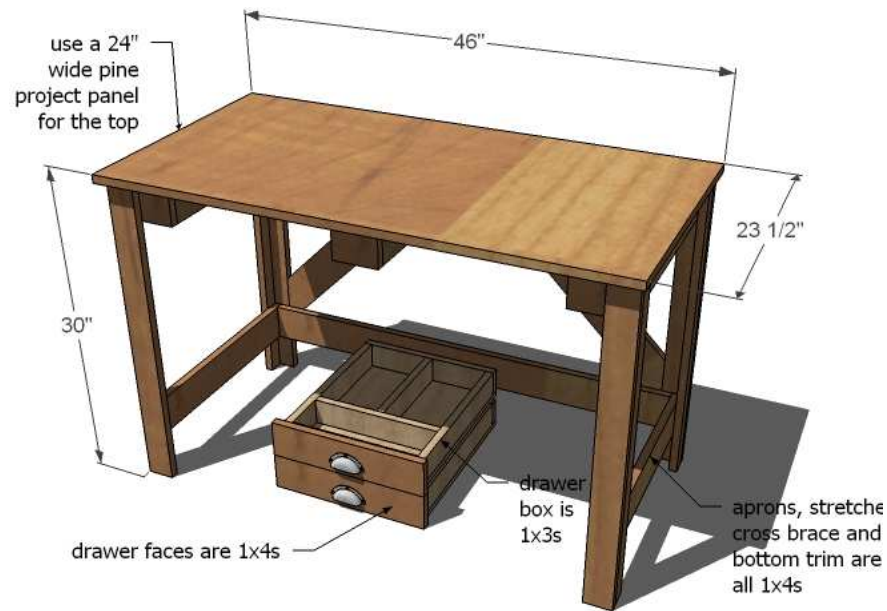
Copyrighted Material

See [www.knock-offwood.com](http://www.knock-offwood.com) for full disclaimer

# ANAWHITEKNOCK-OFFWOOD

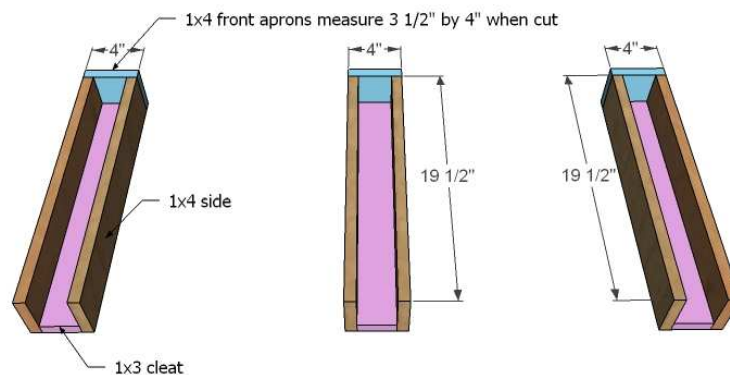
100s OF FREE AND EASY KNOCK-OFF FURNITURE PLANS TO SAVE YOU \$1000s

PLANS: Twin Brookstone Desk



## DIMENSIONS AND COMPOSITION

Dimensions and composition are shown above. Like the Pottery Barn Kids Brookstone Desk, the recommended composition is solid pine or whitewood boards.



## STEP 1: BUILD THE BOX (or three boxes)

Use 2" screws and glue to attach the 1x4 boards to the 1x3 boards (purple) as shown above. All edges will be flush to the underside of the 1x3 cleats. Use glue and begin by attach the brown boards to the cleats, and then the blue boards to both the cleats and the brown boards.

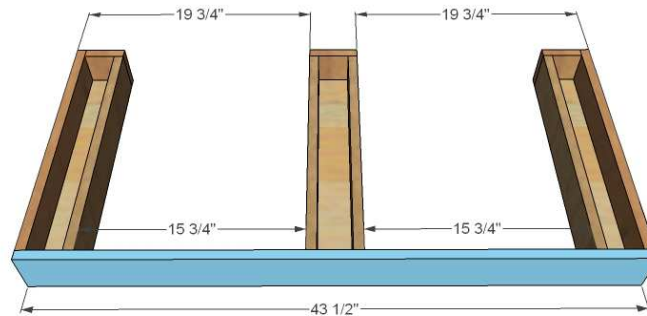
Copyrighted Material

See [www.knock-offwood.com](http://www.knock-offwood.com) for full disclaimer

# ANAWHITEKNOCK-OFFWOOD

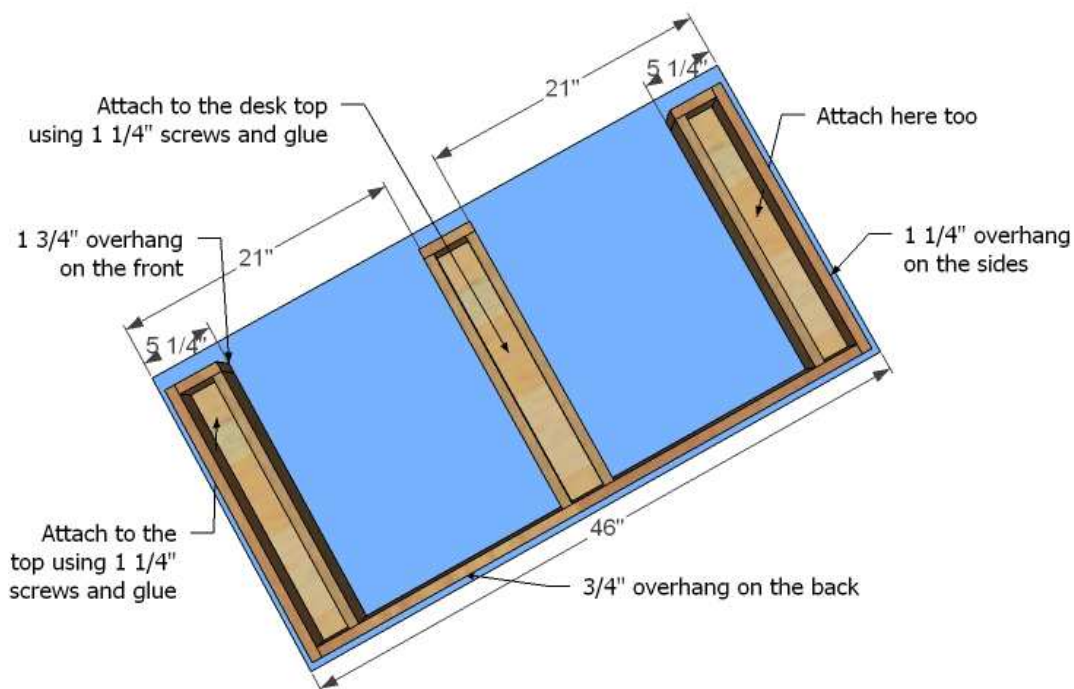
100s OF FREE AND EASY KNOCK-OFF FURNITURE PLANS TO SAVE YOU \$1000s

PLANS: Twin Brookstone Desk



## STEP 2: BACK APRON

Start by marking the back apron 19 3/4" in from both ends. This is where the center box will line up. Attach the back apron to the boxes as shown above. Use 2" finish nails and glue.



## STEP 3: BOTTOM PLYWOOD

Mark the plywood as shown above. Apply glue to the 1x3 cleats and the top edges of the 1x4 boards. Arrange on the underside of the desktop. Adjust for square and to fit the dimensions shown above. Use 1 1/4" screws to fasten through the cleats into the underside of the desktop.

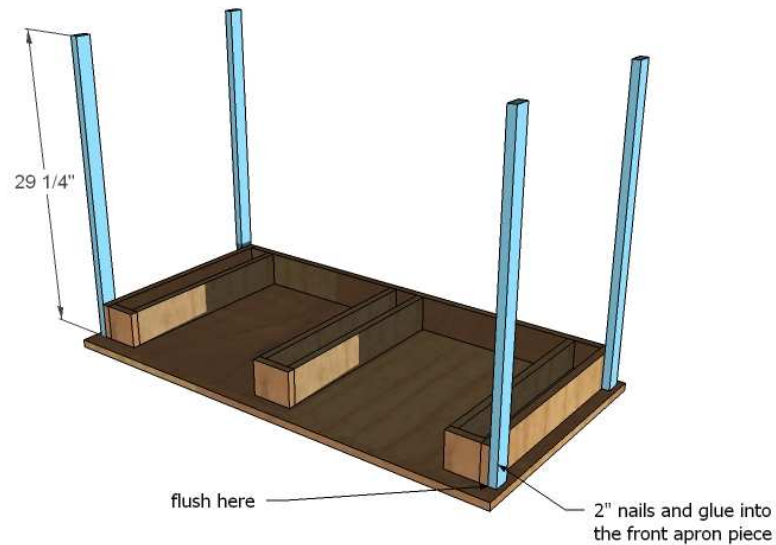
Copyrighted Material

See [www.knock-offwood.com](http://www.knock-offwood.com) for full disclaimer

# ANAWHITEKNOCK-OFFWOOD

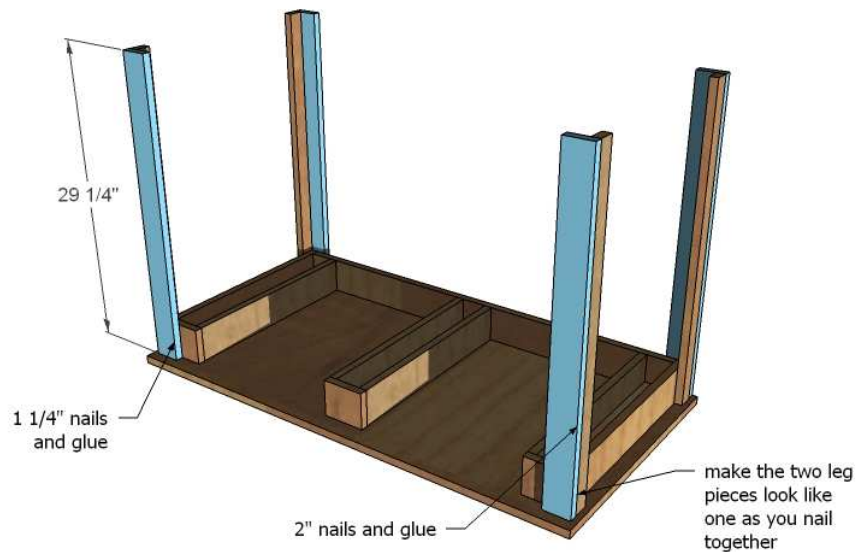
100s OF FREE AND EASY KNOCK-OFF FURNITURE PLANS TO SAVE YOU \$1000s

PLANS: Twin Brookstone Desk



## STEP 4: 1x2 LEGS

Attach the 1x2 legs to the sides, as shown in the diagram. Be careful not to overshoot your nails on this step. You can add a few 1 1/4" nails to the side apron part if you feel it is necessary.



## STEP 5: 1x3 LEGS

Attach the 1x3 legs to the 1x2 legs using 2" nails and glue. Then attach the 1x2 legs to the front and back aprons using 1 1/4" finish nails and glue.

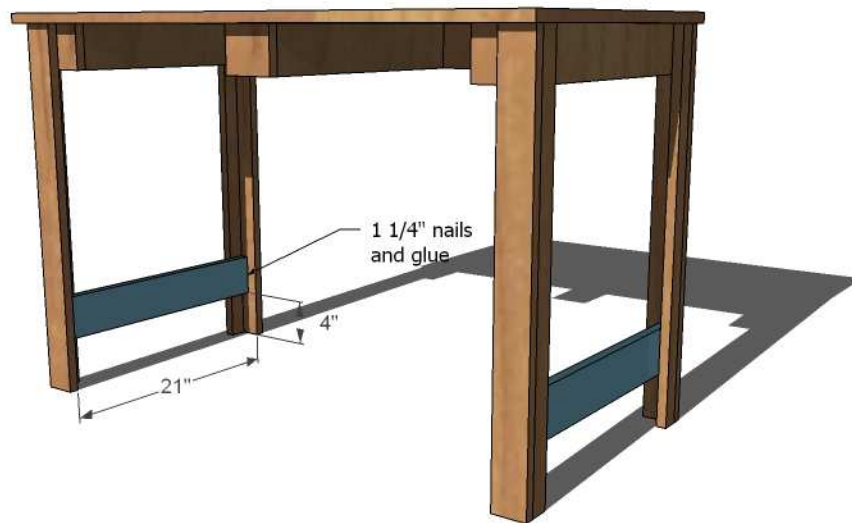
Copyrighted Material

See [www.knock-offwood.com](http://www.knock-offwood.com) for full disclaimer

# ANAWHITEKNOCK-OFFWOOD

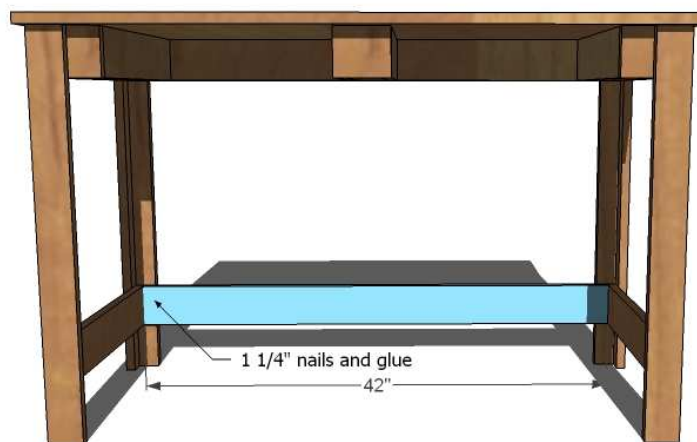
100s OF FREE AND EASY KNOCK-OFF FURNITURE PLANS TO SAVE YOU \$1000s

PLANS: Twin Brookstone Desk



## STEP 6: SIDE STRETCHERS

Attach the side stretchers to the sides as shown above with 1 1/4" finish nails and glue.



## STEP 7: BACK STRETCHER

Attach the back stretcher as shown above with 1 1/4" nails and glue.

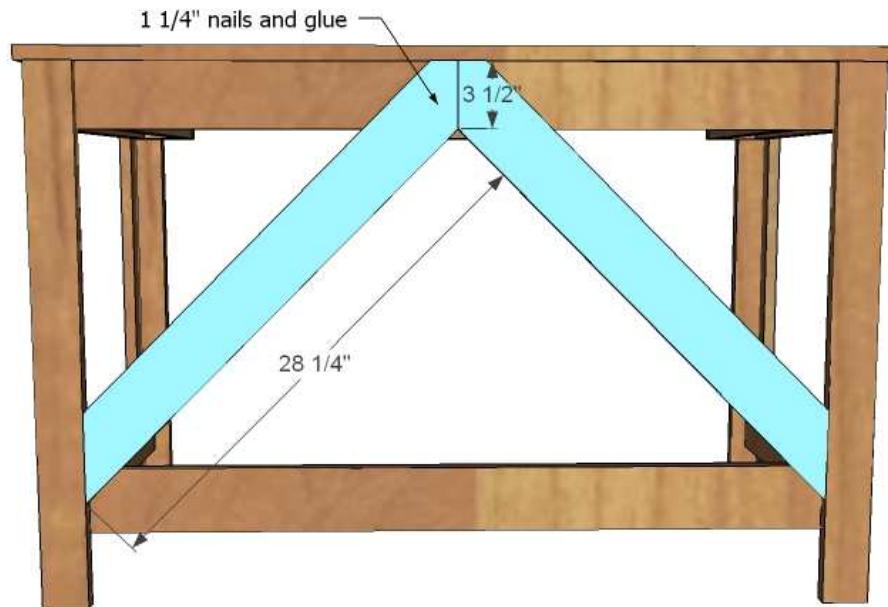
Copyrighted Material

See [www.knock-offwood.com](http://www.knock-offwood.com) for full disclaimer

# ANAWHITEKNOCK-OFFWOOD

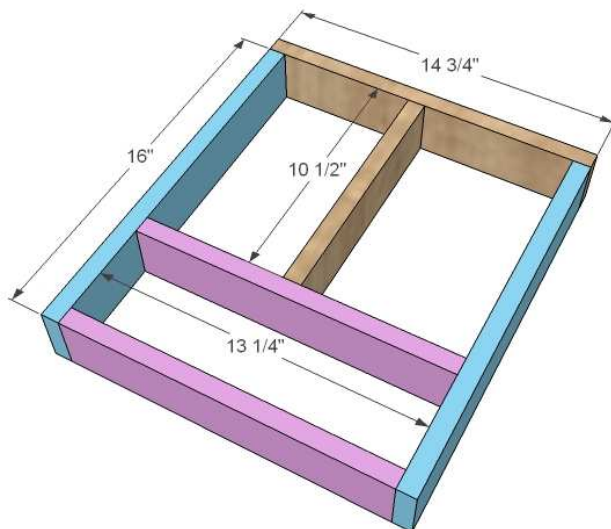
100s OF FREE AND EASY KNOCK-OFF FURNITURE PLANS TO SAVE YOU \$1000s

PLANS: Twin Brookstone Desk



## STEP 8: CROSS BRACES

Simply cut two 1x4s at 28 1/4" long, with the ends cut at 45 degrees, ends parallel to each other. Then measure up 3 1/2" from the bottom of the top edge of the cross brace, and cut the board off square with your mark. Nail and glue on with 1 1/4" finish nails.



## STEP 9: DRAWERS

Build your drawer as shown in the diagram. Recommended is 2" screws and glue. You can create dividers in any method you see fit. How about drilling some holes and creating a charging station in there? Or sizing the partitions perfect for envelopes? It's up to YOU.

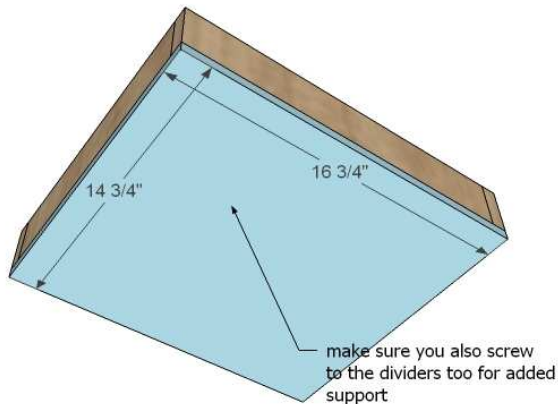
Copyrighted Material

See [www.knock-offwood.com](http://www.knock-offwood.com) for full disclaimer

# ANAWHITE KNOCK-OFF WOOD

100s OF FREE AND EASY KNOCK-OFF FURNITURE PLANS TO SAVE YOU \$1000s

PLANS: Twin Brookstone Desk

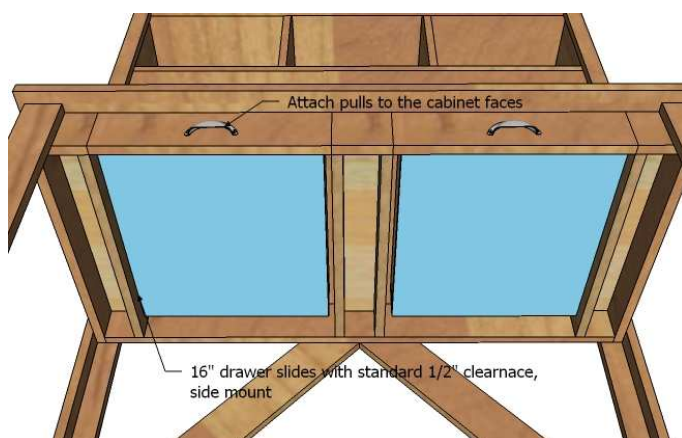
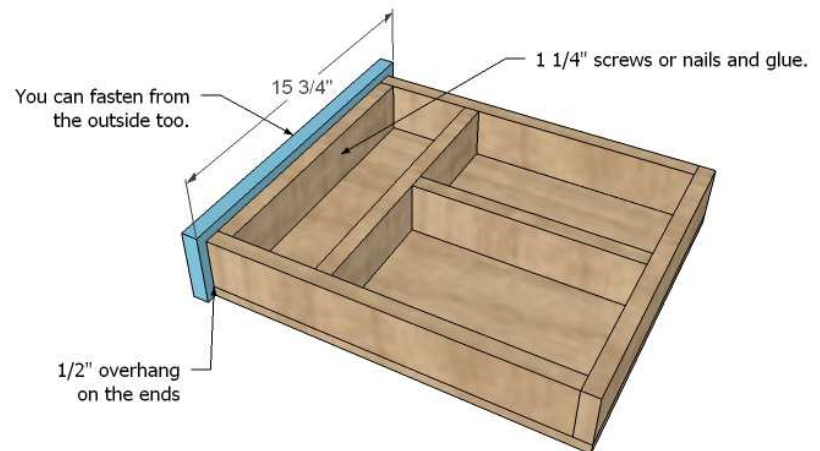


## STEP 10: DRAWER BOTTOM

Attach the drawer bottom to the drawer with 2" screws and glue. Make sure you also attach to the dividers for added support.

## STEP 11: DRAWER FACE

The drawer face measurement will be tight, and you may need to trim it down to get the exact fit. Attach the drawer face to the drawer. Here's my trick – install the drawer into the cabinet with the drawer slides. Push the drawer all the way in. Then, line the drawer face up with the drawer and carefully nail it to the drawer. From the inside, add a few screws.



## STEP 12: ASSEMBLY

Add the drawer handles.

Copyrighted Material

See [www.knock-offwood.com](http://www.knock-offwood.com) for full disclaimer



# ANAWHITEKNOCK-OFFWOOD

100s OF FREE AND EASY KNOCK-OFF FURNITURE PLANS TO SAVE YOU \$1000s

PLANS: Twin Brookstone Desk

## FINISHING

Fill all holes with wood filler. Sand with coarse sandpaper. Fill holes with wood filler again, and sand with medium grit sandpaper. Then finish with a fine sandpaper. Always sand in the direction of the wood grain. If you are painting, prime, painting the insides first, outsides last. Add two coats of paint. You can add a clear top coat if you wish. For staining, always test out a scrap piece, with wood filler. If the wood filler is not taking stain, you may wish to buy a color coordinated wood filler and fill your holes with this. If the stain is going on blotchy, you may need to apply a wood conditioner prior to the stain. Apply a top coat if necessary.

Copyrighted Material

See [www.knock-offwood.com](http://www.knock-offwood.com) for full disclaimer