

Childrens Storage Chair

[View \(/woodworking-projects/childrens-storage-chair\)](/woodworking-projects/childrens-storage-chair)

[Edit \(/node/193/edit\)](/node/193/edit)

[Delete \(/node/193/delete\)](/node/193/delete)

SUBMITTED BY ANONYMOUS (NOT VERIFIED) ON TUE, 01/05/2010 - 22:00

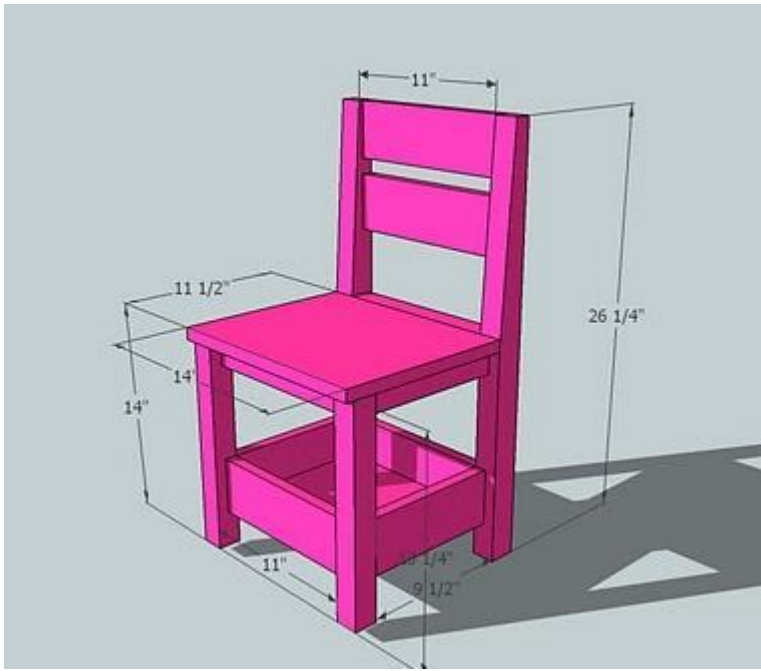
Difficulty: **Intermediate**

This extremely sturdy storage chair is not just easy to build and highly functional, it's also super cute! I made this chair for my daughter quite a while ago, and it's the go-to chair for her room. I find myself often sitting at it, because the chair is so sturdy. The storage compartment is perfect for books or crayons or even playdoh. Hope you paint yours a bright color.



Dimensions





11 1/2" x 14" x 26 1/4"

Preparation

SHOPPING LIST

- 1 - 2x2 @ 8 feet long
- 1 - 1x4 @ 6 feet long
- 1 - 1x10 @ 1 foot long
- 1 - 1x12 @ 14" long

COMMON MATERIALS

- 1 1/4 inch screws
- 2 inch screws
- 2 1/2 inch screws
- Elmer's Wood Glue (<http://elmers.com/diy>)
- Elmer's Wood Filler (<http://elmers.com/products/wood-filler-and-other-repair?filters=construction#>)
- 120 grit sandpaper
- primer



wood conditioner

paint

paint brush

CUT LIST

2 – 2×2 @ 26 1/4" (Legs, you can choose to taper the tops as shown in the plans)

2 – 1×4 @ 11" (Back Rails)

1 – 2×2 @ 11" (Back Joint Piece)

2- 1×2 @ 11" (Back and Front of Seat Apron)

2 – 1×2 @ 9 1/2" (Sides of Seat Apron)

2 – 2×2 @ 13 1/4" (Front Legs)

1 – 1×10 @ 11" (Bottom of Storage Compartment)

2 – 1×4 @ 11" (Front and Back of Storage Compartment)

2 – 1×4 @ 9 1/2" (Sides of Storage Compartment)

1 – 1×2 @ 11" (Back, Seat Top)

1 – 1×12 @ 14" (Seat Top)

TOOLS



Tape Measure



Speed Square



Pencil



Safety Glasses



Ear Protection



Kreg Jig



Drill



Circular Saw



Sander

GENERAL INSTRUCTIONS

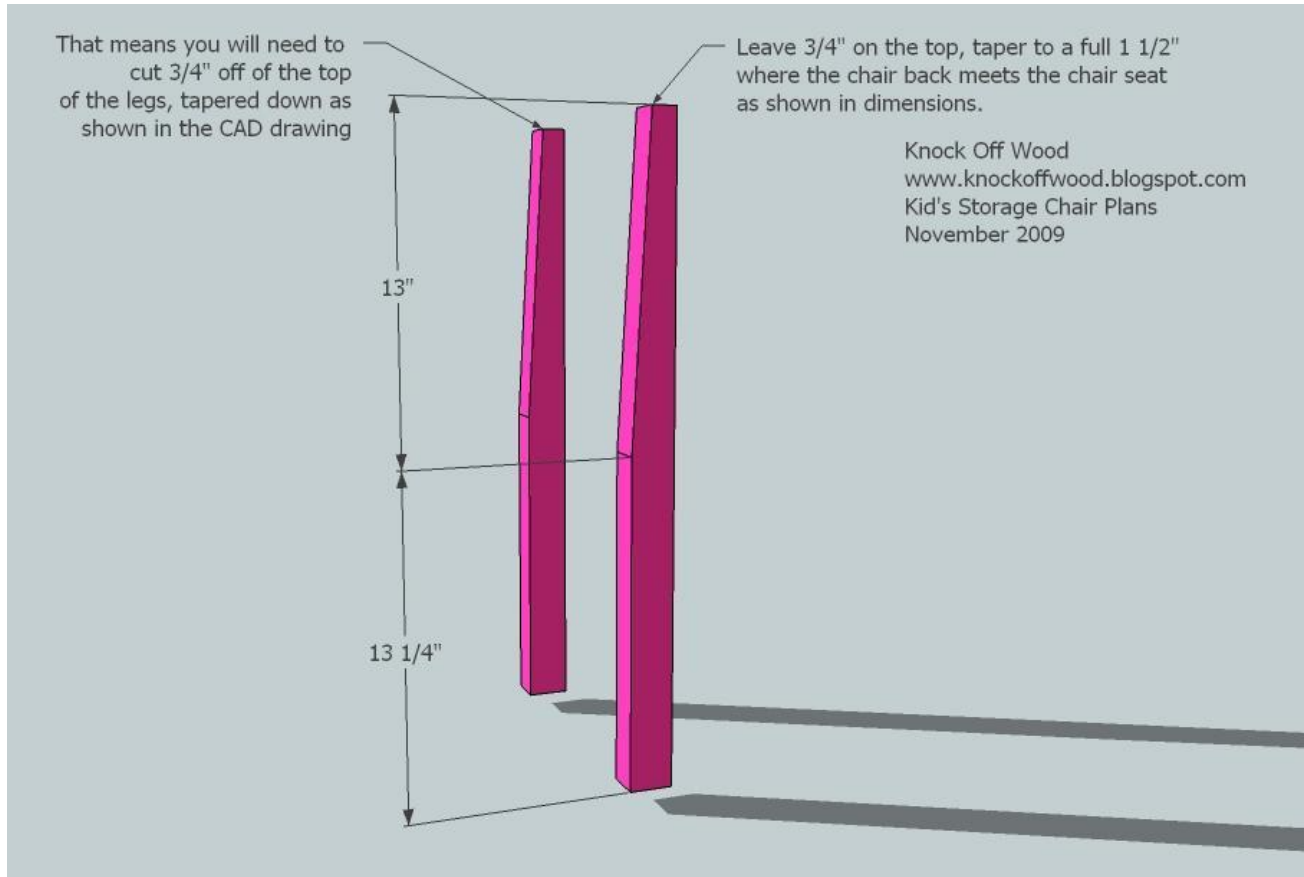


Always predrill with a countersink bit and use screws. Make sure you use glue for all of your joints. Check for square after each step (see the HOW-TO section). Cut all your boards first to make assembly faster.



Instructions

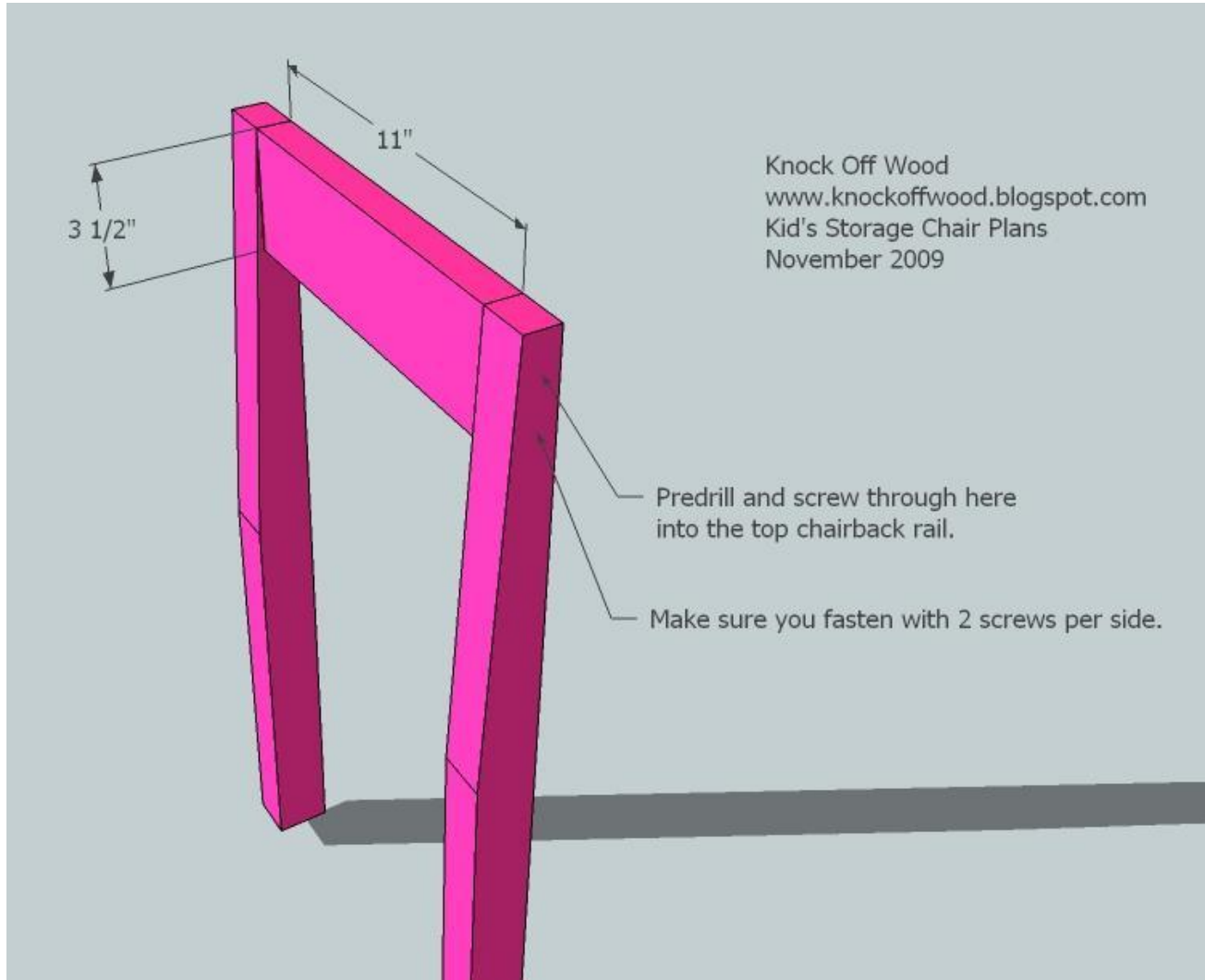
STEP 1



Back Legs. If you choose to taper your back legs, A, measure and mark in a straight line as shown above. Then cut using either a jigsaw or a round saw. Please note the chair that I made, I skipped this step (and it looks fine!)



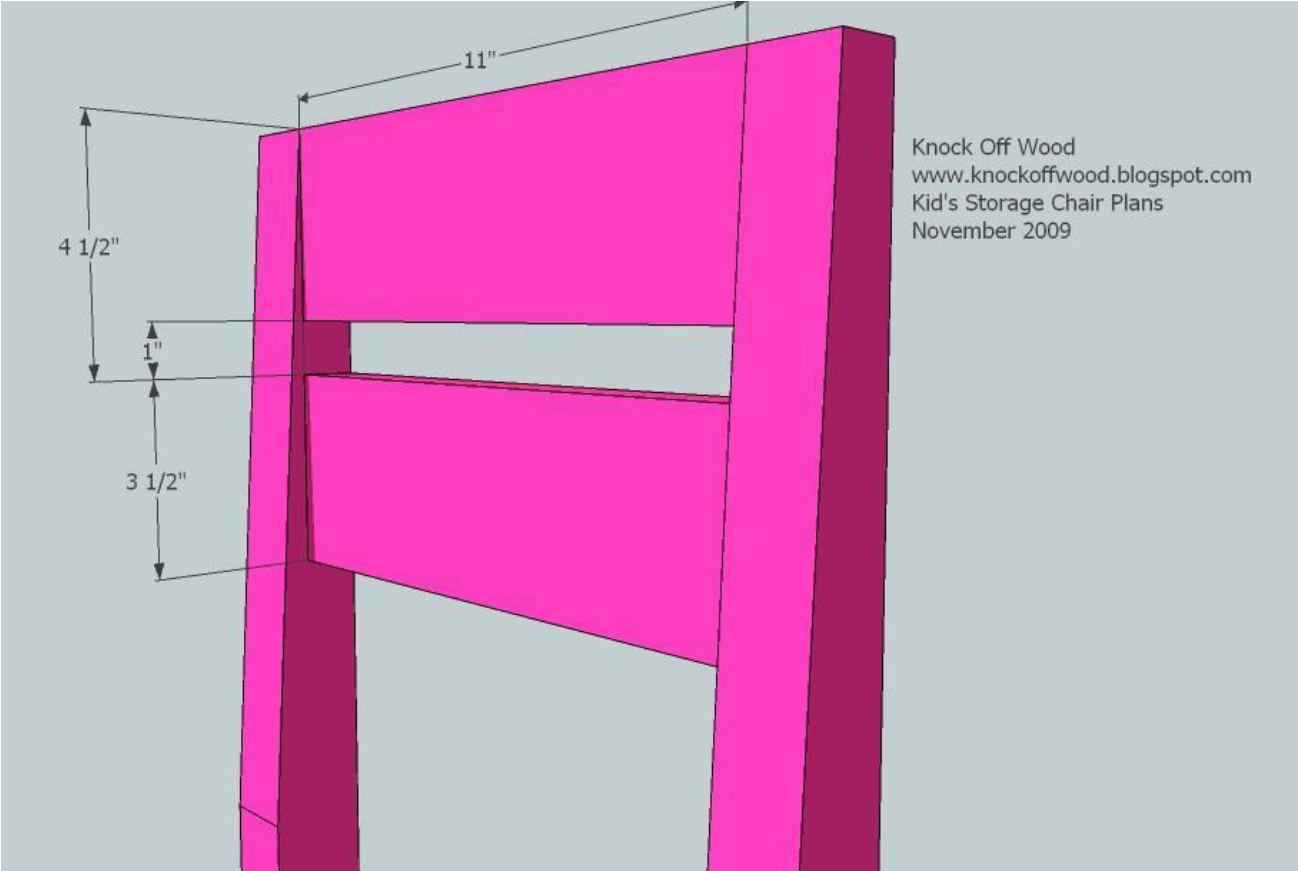
STEP 2



Chair Back. Screw the first of your chair back pieces, B, to the legs as shown above. Keep top and back edges flush. Also note, you can cut out an arch in the back, as done by Land of Nod in the first photo.



STEP 3

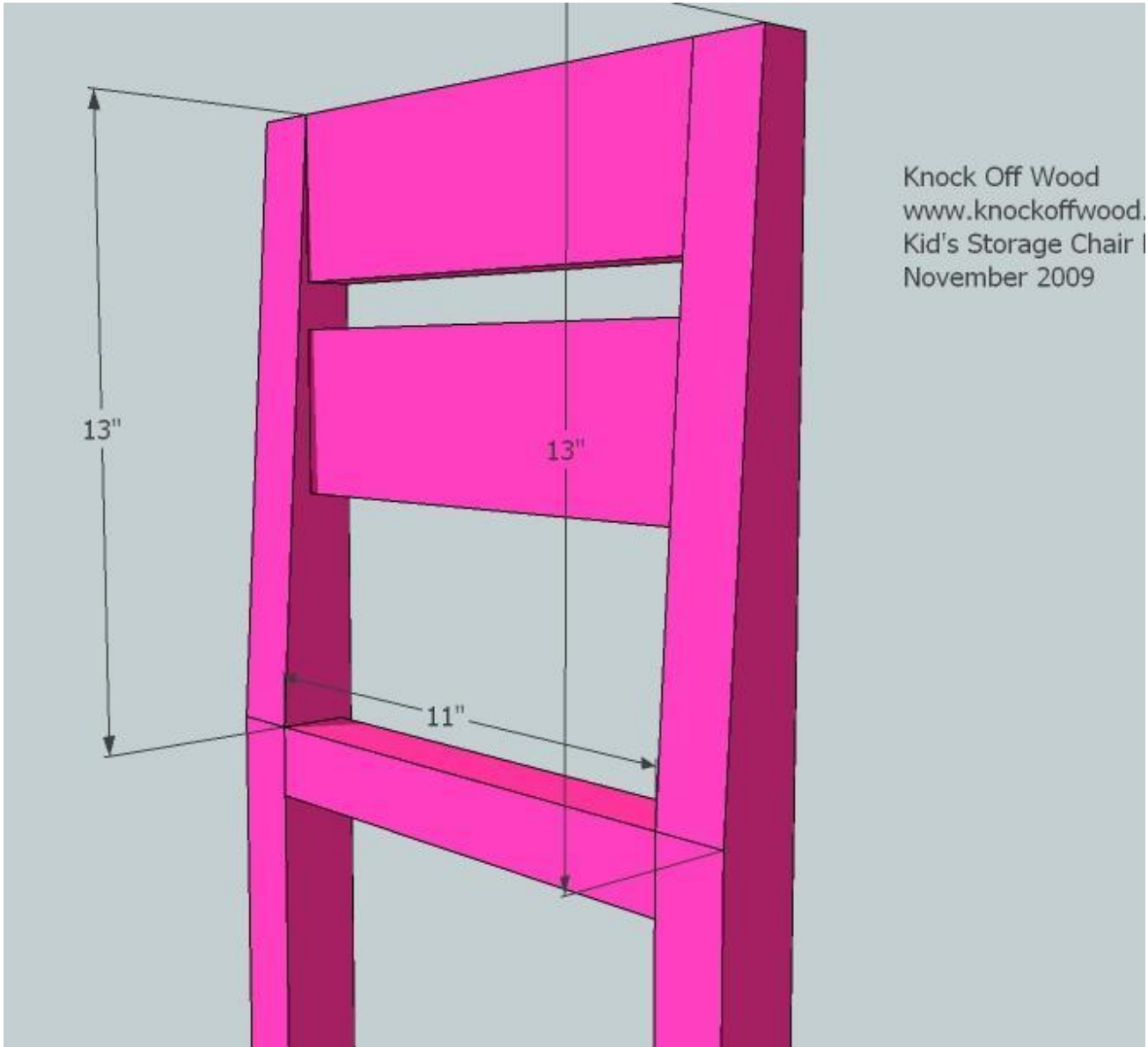


Knock Off Wood
www.knockoffwood.blogspot.com
Kid's Storage Chair Plans
November 2009

Chair Back. Repeat step 2 for the second chair back piece. Use the measurements above to guide you.



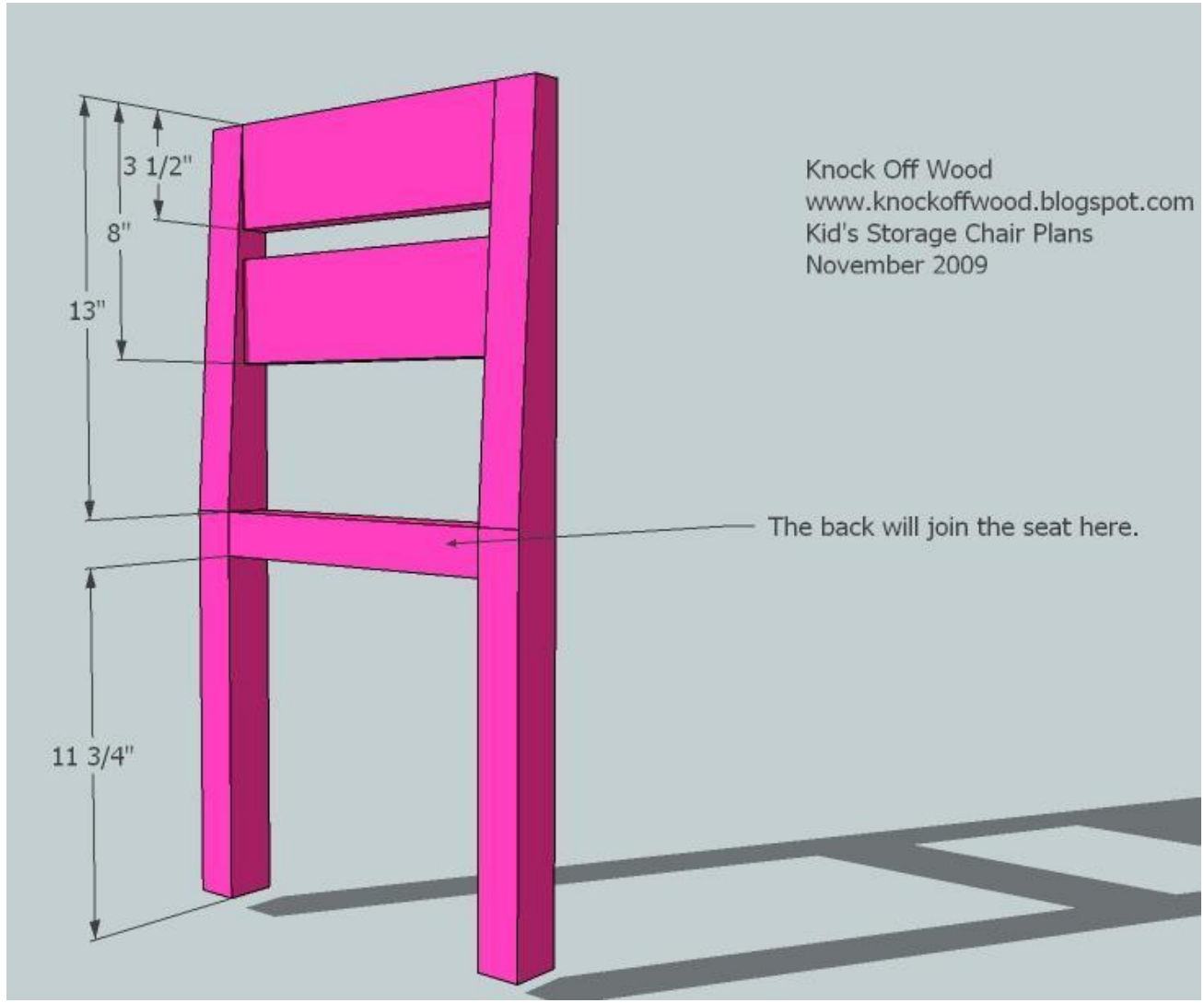
STEP 4



Joint Piece. Add the Chair joint piece, C, as shown above. Keep side edges flush. Make sure you use 2 screws per side.



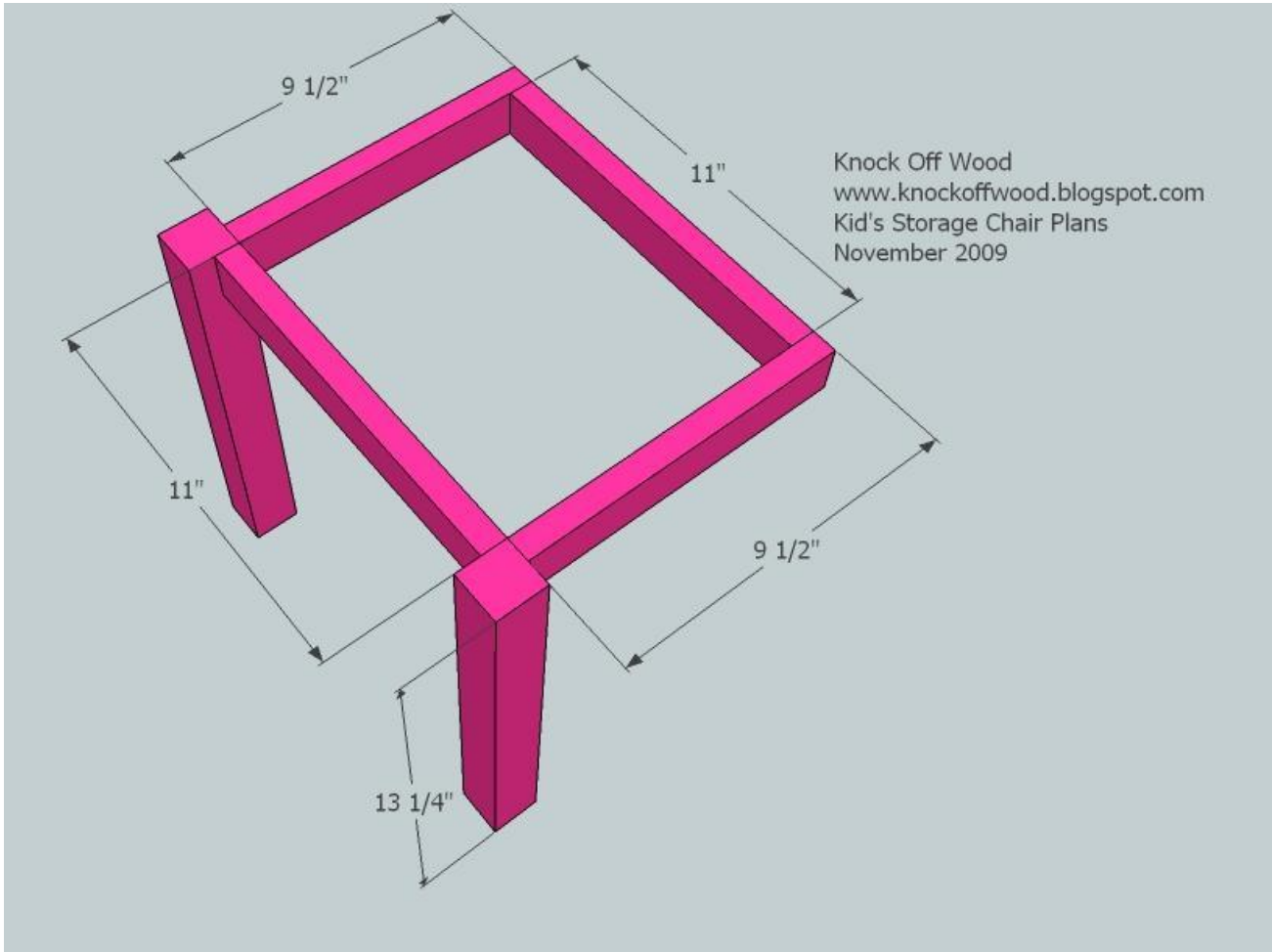
STEP 5



Knock Off Wood
www.knockoffwood.blogspot.com
Kid's Storage Chair Plans
November 2009



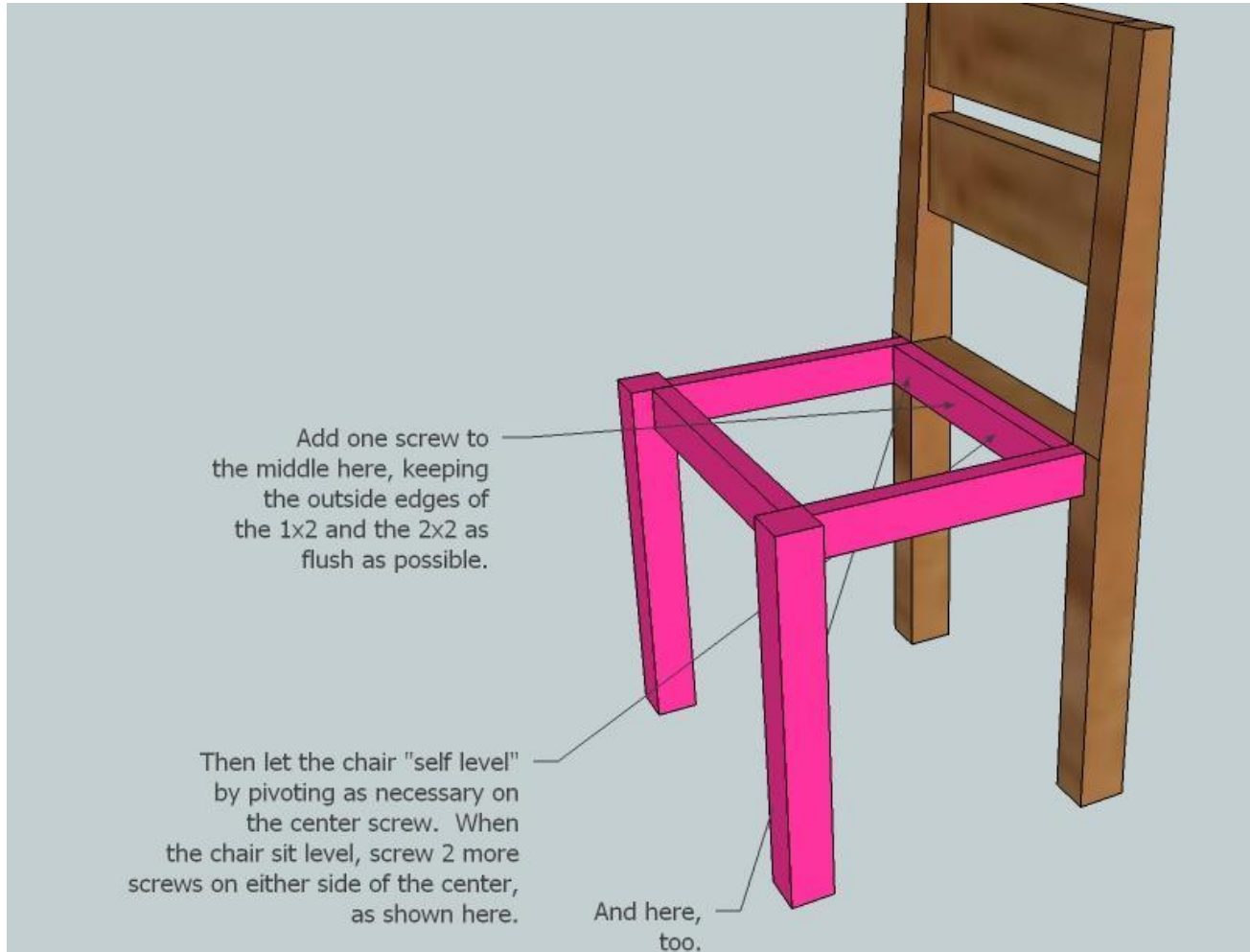
STEP 6



Chair Apron and Legs. Construct the above chair legs and apron piece, as shown above, using pieces D, E and F. You will only need to use 1 screw from each of the legs into each of the aprons, for a total of 2 screws per leg. However, make sure you add 2 screws from the side apron into the end edges of the back apron.



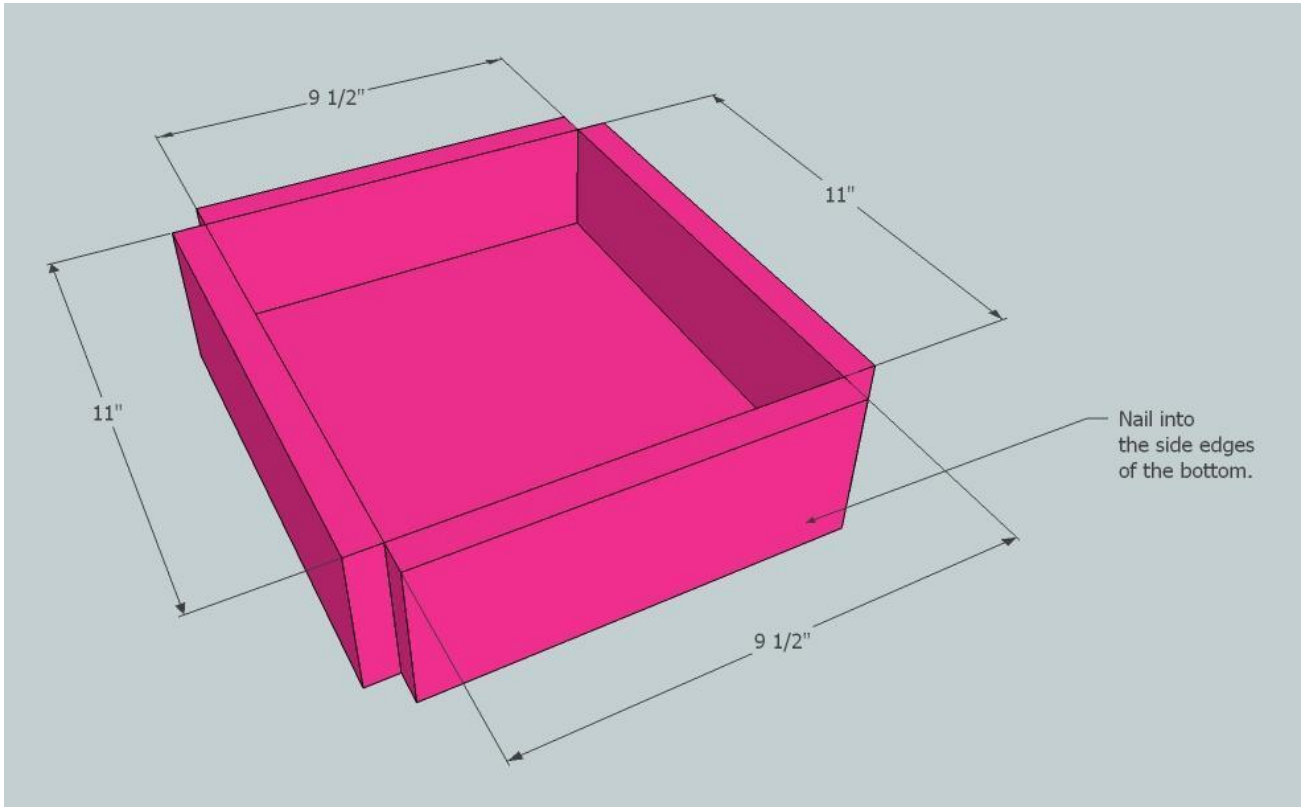
STEP 7



Putting the Chair Together. Here's my secret trick. Place the two chair pieces together, as shown above. Adjust the chair so the back apron is flush on all outside edges with the Joint Piece. Then fasten with 1 screw near the center of the back apron, as shown above. Allow the chair to "self level" by wiggling it until the chair rests flat. Then finish screwing the chair together by adding a screw on either end of the back apron into the Joint Piece.



STEP 8



Building the Storage Box. If you have your nailer handy, build the storage box as shown above. You will only be able to nail through the bottom of the storage box sides into the edges of the bottom of the storage box. The corners will be free. If you do not have a nailer, go ahead and use screws. You can use shorter screws here, like 1 1/2" screws.



STEP 9



Attaching the Storage Box. Position the storage box on the legs, as shown above. Then screw through the legs into the storage box sides. You will only need 2 screws per leg. Remember to glue and use the longer screws (2 1/2").



STEP 10



Top Back Piece. Screw or nail the back top piece in place, using either 2" nails or the 1 1/2" screws. Keep the edges flush with the back legs.





STEP 11



Chair Seat. You may wish to paint the storage compartment before attaching the seat. When you do attach the seat you can either just nail through the top of the seat into the apron, or you can flip the chair over and predrill and screw through the aprons into the the bottom of the seat. If you are painting the chair, nailing is easier. If you are staining, screwing from underneath would hide your screw holes here.



Help Improve This Plan

We apologize if there was an error in this plan. Please help us out and report any errors here.

