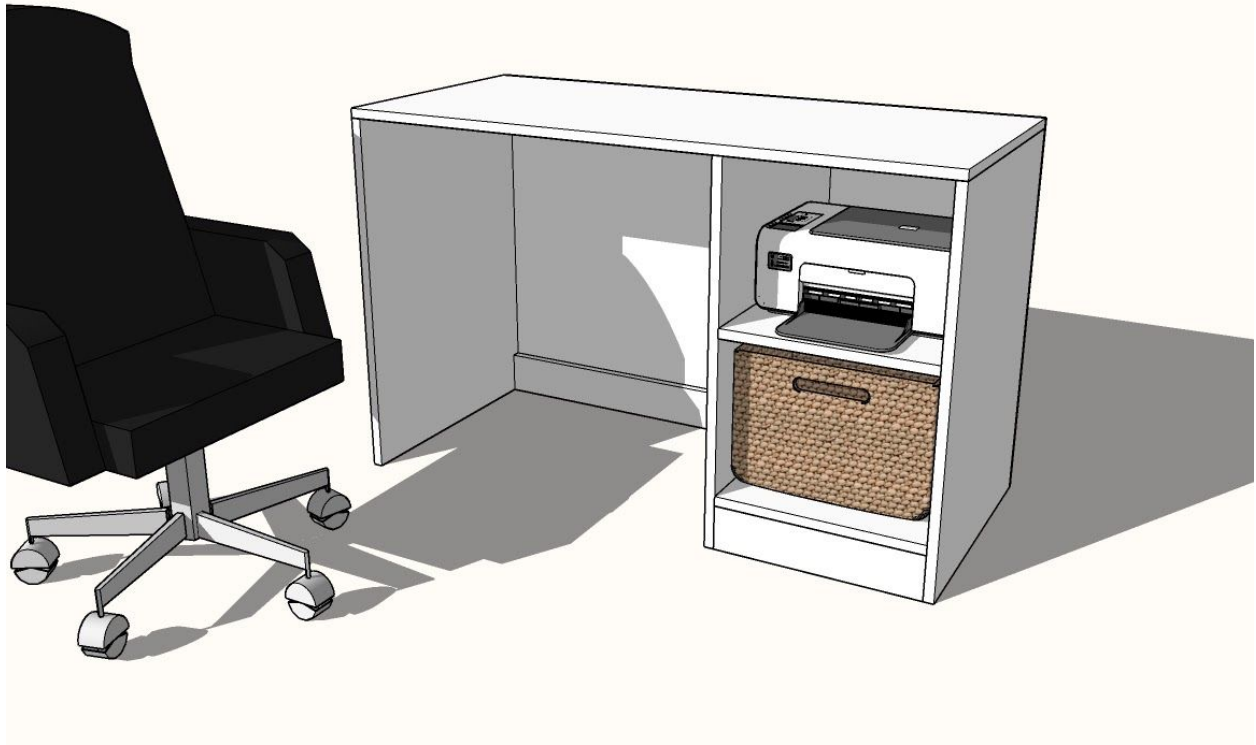


# Modern Shelf Desk

By Ana White

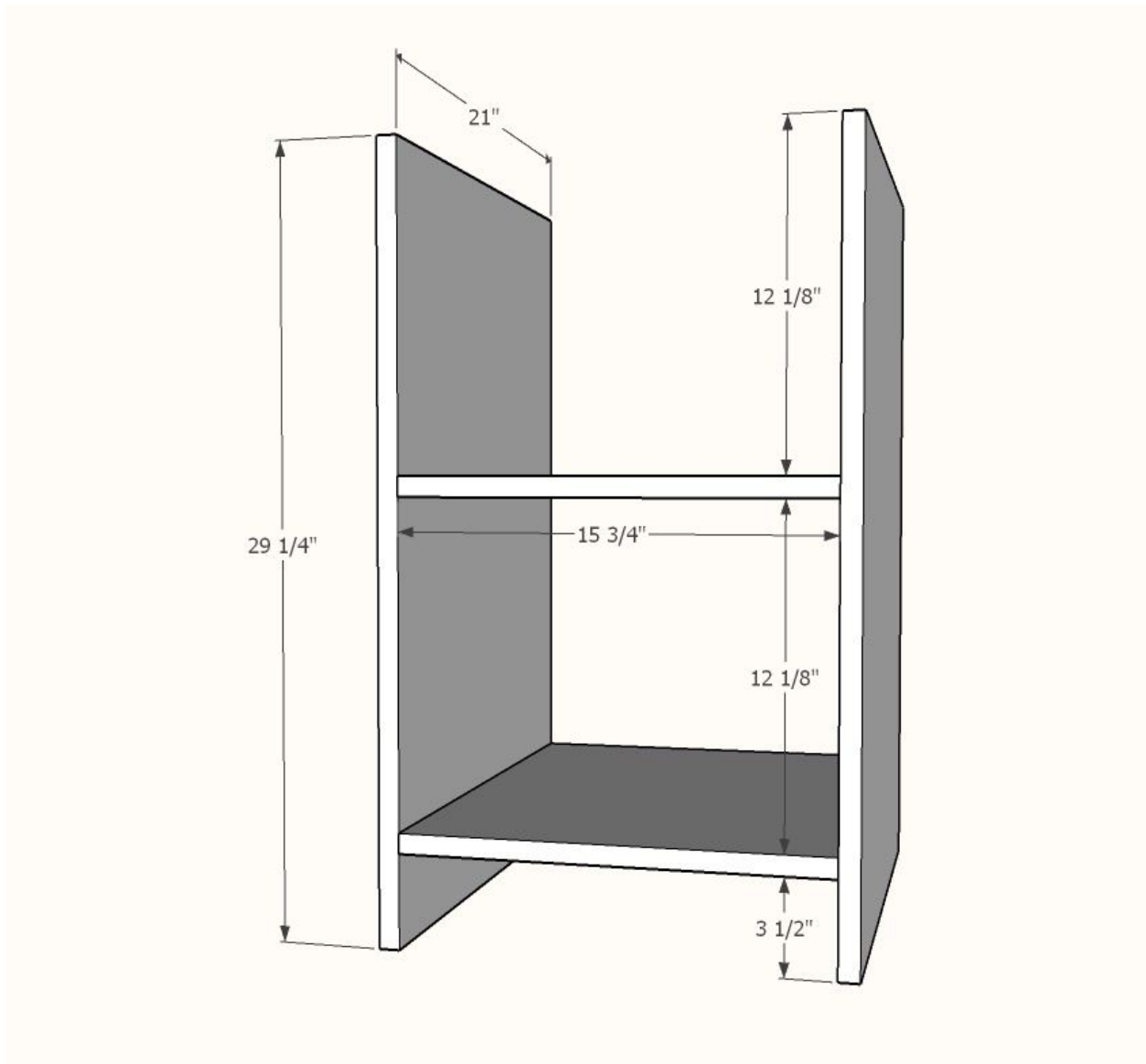


Materials and Tools	Cut List
<ul style="list-style-type: none"><li><input type="checkbox"/> Modern Shelf Desk Kit from Shelf Help</li><li><input type="checkbox"/> 1 - 1x4 - 8 feet long</li><li><input type="checkbox"/> OPTIONAL BACK - 48" x 32" wainscotting panel or 1/4" plywood panel</li><li><input type="checkbox"/> 50 pack of 1-1/4" coarse Kreg Pocket Hole Screws</li><li><input type="checkbox"/> 20 - 3/4" brad nails</li><li><input type="checkbox"/> Circular Saw</li><li><input type="checkbox"/> Drill</li><li><input type="checkbox"/> Kreg Jig</li><li><input type="checkbox"/> 18 Gauge Brad Nailer (for optional back only)</li><li><input type="checkbox"/> Palm Sander with 120 grit sandpaper</li><li><input type="checkbox"/> Measuring Tape</li><li><input type="checkbox"/> Safety Glasses</li><li><input type="checkbox"/> For a stained finish, you will also need about 4 feet of edge banding to finish the ends of the tabletop</li></ul>	<ul style="list-style-type: none"><li><input type="checkbox"/> 1 - 1x4 @15-3/4" Short Bay Support</li><li><input type="checkbox"/> 2 - 1x4 @ 30" - Long Bay Supports</li></ul>

## Step 1: Carcass

First, drill your pocket holes, using the  $\frac{3}{4}$ " setting, as follows:

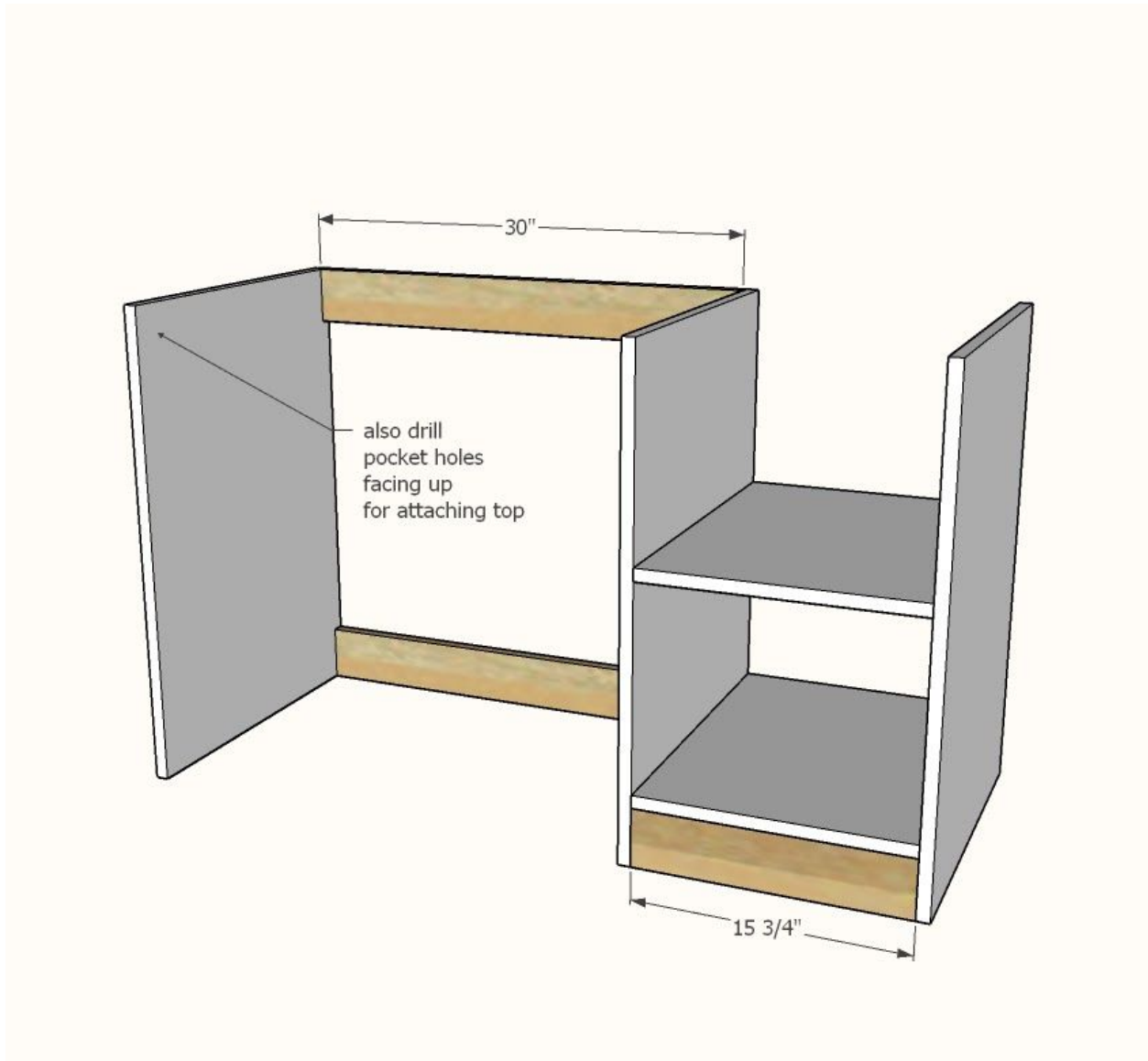
- Three pocket holes on the top edge of all vertical side/divider boards (measuring  $29\frac{1}{4}$ " length) for attaching the top in later steps. Orientate so the pocket holes will be on the inside of the project, with the front finished edges forward.
- Three pocket holes on both ends of the shelf boards (measuring  $15\frac{3}{4}$ " length) for attaching shelves to sides/dividers
- Two pocket holes on each end of all 1x4 boards.



Then assemble the shelf section as shown in the diagram with  $1\frac{1}{4}$ " pocket hole screws.



## Step 2: Bay Supports



Drill two  $\frac{3}{4}$ " pocket holes on each end of the bay support pieces. Attach inside the bays with 1- $\frac{1}{4}$ " pocket hole screws as shown in the diagram.

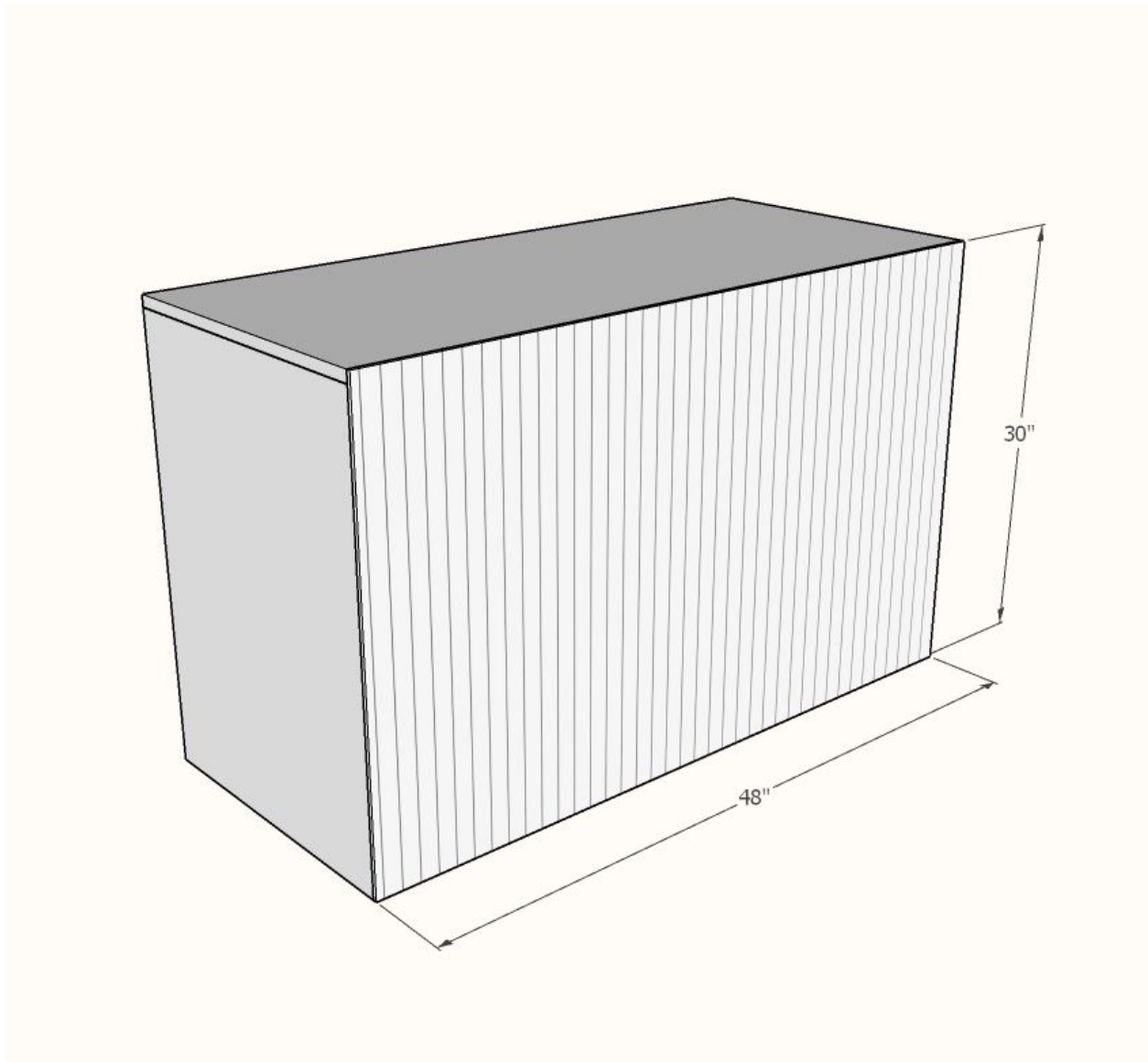
TIP: Also drill  $\frac{3}{4}$ " pocket holes facing upward on the top, back bay support for attaching the top in next step.

**Step 3. Face Frame**



Attach top to the base through the predrilled pocket holes.

**Step 4: Back**



Cut the back with a circular saw down to fit. Attach with wood glue and  $\frac{3}{4}$ " brad nails or staples.

-----  
Project name: Shelfhelp project  
Date: 2020-11-18  
-----

Plywood Cut List:

Material: Purebond 3/4" thickness

Checkbox | Qty | W x L

=====

- | 3 | 20.25" x 29.25"
- | 2 | 20.25" x 15.75"
- | 1 | 20.25" x 48"